

tineco

PURE ONE S11 SERIES Smart Vacuum Cleaner

Instruction Manual

Manual De Uso

Mode D'emploi



*Actual product may differ from illustration.

TINECO IS HERE TO HELP.
We'll get back to you within 1 business day.



www.tineco.com



1-855-292-8864
Mon. - Fri. 9am - 6pm (CST)


CONTENTS

Important Safety Instructions.....	2
Overview.....	5
Accessories.....	7
Assembly.....	9
Operation.....	11
Maintenance.....	18
Specifications.....	22
Troubleshooting.....	23
Warranty.....	25

TINECO IS HERE TO HELP.

We'll get back to you within 1 business day.

 www.tineco.com

 **1-855-292-8864**
Mon. - Fri. 9am - 6pm (CST)

Important Safety Instructions

SAVE THESE INSTRUCTIONS

Household use only.

When using an electrical appliance, basic precautions should always be followed, including the following:

READ ALL INSTRUCTIONS BEFORE USING (THIS APPLIANCE). Failure to follow the warnings and instructions may result in electric shock, fire and/or serious injury.

WARNING – To reduce the risk of fire, electric shock, or injury:

1. This appliance can be used by children aged from 8 years and above and persons with reduced physical, sensory or mental capabilities or lack of experience and knowledge if they have been given supervision or instruction concerning use of the appliance in a safe way and understand the hazards involved. Children should not play with the appliance. Cleaning and user maintenance shall not be performed by children without supervision.
2. The appliance is not to be used by persons (including children) with reduced physical, sensory or mental capabilities, or lack of experience and knowledge, unless they have been given supervision or instruction.
3. For **INDOOR** use **ONLY**. Do not use the appliance in outdoors, nor in commercial or industrial environments. Do not use the appliance on wet surfaces or surfaces with standing water.
4. Do not allow to be used as a toy. Close attention is necessary when used by or near children, pets or plants.
5. Use only as described in this manual. Use only manufacturer's recommended attachments.
6. Do not use with a damaged cord or plug. If appliance has been dropped, damaged, left outdoors, dropped into water, or is not working as it should, return it to a service center.
7. Do not handle charger, including charger plug, and charger terminals with wet hands.
8. Do not put any object into openings. Do not use with any openings blocked; keep free of dust, lint, hair, and anything that may reduce air flow.
9. Keep hair, loose clothing, fingers, and all parts of your body away from openings and moving parts.
10. Use extra care when cleaning on stairs.
11. Do not use to pick up flammable or combustible liquids, such as gasoline, or use in areas where they may be present.
12. Do not pick up anything that is burning or smoking, such as cigarettes, matches, or hot ashes.
13. Do not use without a filter.
14. Prevent unintentional activation. Ensure the switch is in the off position before connecting to the battery pack, picking up or carrying the appliance. Carrying the appliance with your finger on the switch or powering on the appliance with the switch on may cause accidents.

15. Disconnect the battery pack from the appliance before making any adjustments, changing accessories, storing the appliance. Such preventive safety measures reduce the risk of starting the appliance accidentally.
16. For the purposes of recharging the battery, only use the detachable supply unit provided with this appliance. A charger that is suitable for one type of battery pack may create a risk of fire when used with another battery pack.
17. Use appliances only with specifically designated Tineco battery packs. Use of any other battery packs may create a risk of injury and fire.
18. When battery pack is not in use, keep it away from other metal objects, like paper clips, coins, keys, nails, screws or other small metal objects, that can make a connection from one terminal to another. Shorting the battery terminals together may cause burns or a fire.
19. Under improper usage, liquid may be ejected from the battery; avoid contact. If contact accidentally occurs, flush with water. If liquid comes into eye contact, seek medical help. Liquid ejected from the battery may cause irritation or burns.
20. Do not use a battery pack or appliance that is damaged or modified. Damaged or modified batteries may exhibit unpredictable behavior resulting in fire, explosion or risk of injury.
21. Do not expose a battery pack or appliance to fire or excessive heat. Exposure to fire or temperatures above 266°F (130°C) cause an explosion.
22. Follow all charging instructions and do not charge the battery pack or appliance outside of the temperature range specified in the instructions. Charging improperly or at temperatures outside of the specified range may damage the battery and increase the risk of fire.
23. Have servicing performed by a qualified repair person using only identical replacement parts. This will ensure that the safety of the product is maintained.
24. This appliance contains battery cells that are non-replaceable. Do not modify or attempt to repair the appliance or the battery pack except as indicated in the instructions for use and care.
25. Always turn off this appliance before connecting or disconnecting the motorized nozzle.
26. Do not charge or store the appliance outdoors or inside a car. Only charge, store or use the battery in a dry indoor area where the temperature is higher than 39.2°F (4°C) but lower than 104°F (40°C). The charger is for indoor use only.

FCC Supplier's Declaration of Conformity

Tineco / PURE ONE S11 SERIES

This appliance complies with part 15 of the FCC Rules. Operation is subject to the following two conditions:

(1) This appliance may not cause harmful interference, and (2) this appliance must accept any interference received, including interference that may cause undesired operation.

Tineco INTELLIGENT, INC.

1700 WESTLAKE AVENUE N., SUITE 200, SEATTLE, WA, 98109, USA

WWW.TINECO.COM

1-855-292-8864

Changes or modifications not expressly approved by the party responsible for compliance could void the user's authority to operate the equipment.

Note: This equipment has been tested and found to comply with the limits for a Class B digital appliance, pursuant to Part 15 of the FCC Rules. These limits are designed to provide reasonable protection against harmful interference in a residential installation. This equipment generates uses and can radiate radio frequency energy and, if not installed and used in accordance with the instructions, may cause harmful interference to radio communications. However, there is no guarantee that interference will not occur in a particular installation. If this equipment does cause harmful interference to radio or television reception, which can be determined by turning the equipment off and on, the user is encouraged to try to correct the interference by one or more of the following measures:

- (1) Reorient or relocate the receiving antenna.
- (2) Increase the separation between the equipment and receiver.
- (3) Connect the equipment into an outlet on a circuit different from that to which the receiver is connected.
- (4) Consult the dealer or an experienced radio/TV technician for help.

FCC Radiation Exposure Statement

This equipment complies with FCC radiation exposure limits set forth for an uncontrolled environment.

Note

The manufacturer is not responsible for any radio or TV interference caused by unauthorized modifications to this equipment, such modifications could void the user's authority to operate this equipment.

IC Note

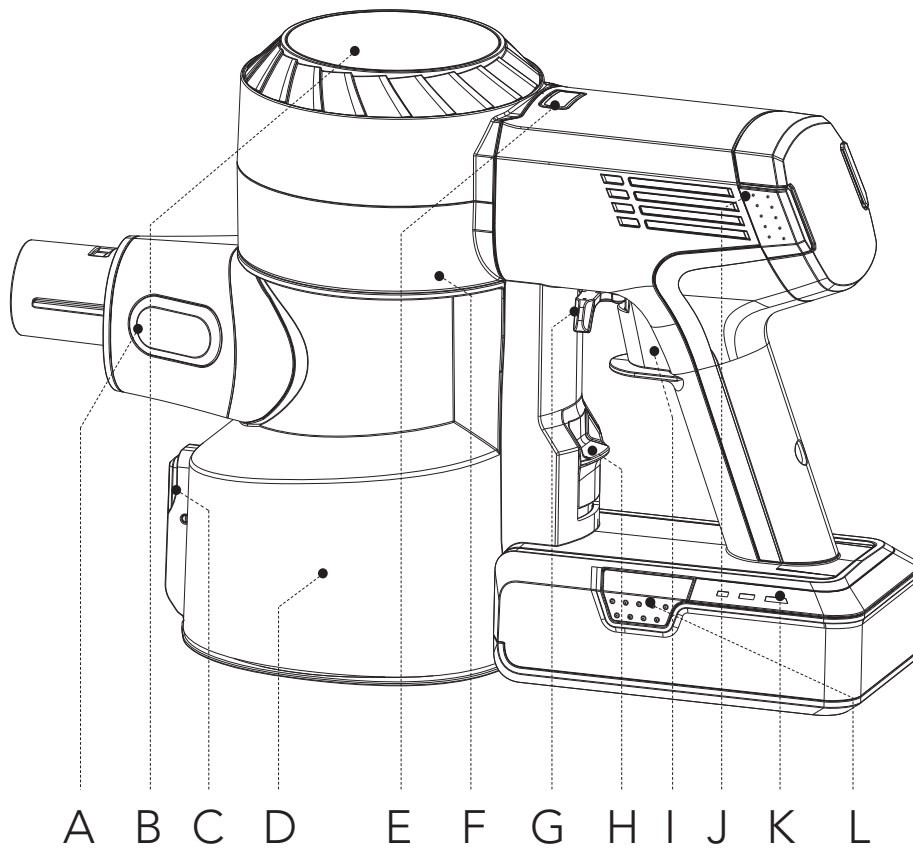
This appliance contains licence-exempt transmitter(s)/receiver(s) that comply with Innovation, Science and Economic Development Canada's licence-exempt RSS(s). Operation is subject to the following two conditions:

- (1) this appliance may not cause interference.
- (2) this appliance must accept any interference, including interference that may cause undesired operation of the appliance.

-This Class B digital apparatus complies with Canadian ICES-003.

-This equipment complies with ISED RSS-102 radiation exposure limits set forth for an uncontrolled environment. This equipment should be installed and operated with a minimum distance of 20cm between the radiator and any part of your body.

Overview



A. Dust sensor

B. Digital display

C. Dust empty release button

D. Dustbin

E. AUTO/MAX button

F. WiFi reset button

(Remove the dustbin to access)

G. Trigger lock

H. Dustbin release button

I. Trigger

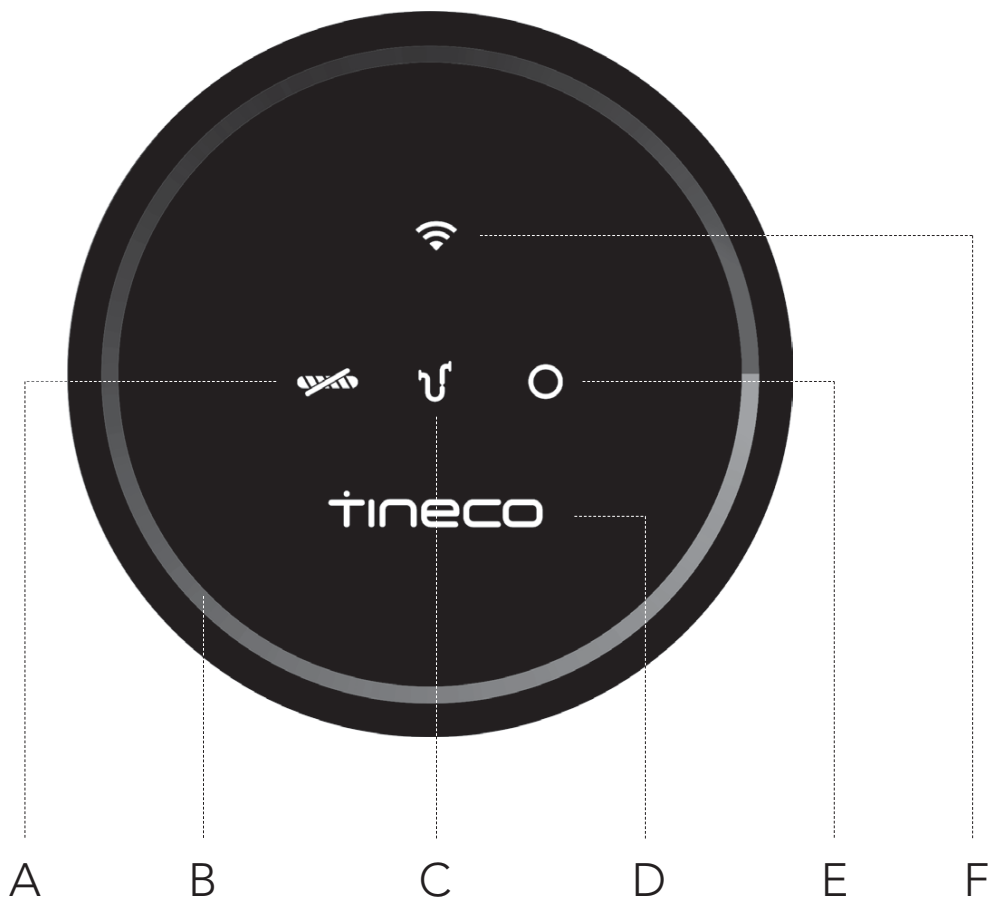
J. HEPA release button

K. Battery indicator light

L. Battery release button

Digital Display

EN



A. Brush roller tangled

B. Dust monitoring loop

(Blue to red according to the dust amount)

C. Air channel blocked

D. Tineco logo

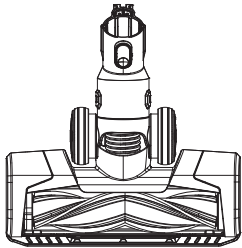
E. Dust sensor malfunction

F. WiFi indicator

Accessories

Note:

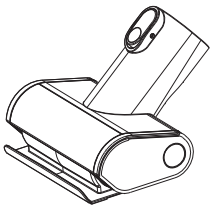
- Test an accessory on a small, inconspicuous area before use on sensitive surfaces.
- The packaging box shows which accessories are included with your purchase.
- As shown below, there are many components compatible with this model. If you require more accessories, please go to www.tineco.com or store.tineco.com.



Full-size LED multi-tasker power brush

Ideal for both hard floors and carpets.

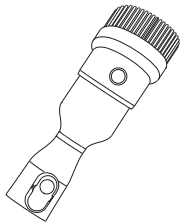
Very effective for agitating dirt embedded in the carpet.



Mini power brush

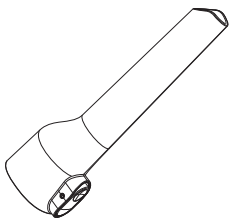
For vacuuming upholstered furniture, mattresses, etc.

Vacuums pet hair and removes ingrained dirt.



2-in-1 dusting brush

Switches between a wide and a soft brush by pressing the release button. The soft brush is most effective on hard-surface furniture while the wide brush is effective for upholstered furniture, curtains, etc.



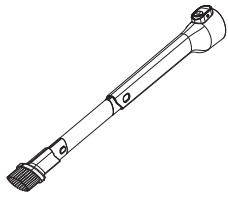
Crevice tool

For corners, nooks, and other hard-to-reach places such as around car seats, picture frames, and cupboards.



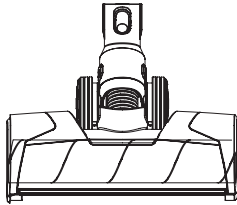
Soft dusting brush

Angled bristles on a slender, oval-shaped rim provide anti-static, cushioned contact. Suitable for dusting shelves, lighting, delicate surfaces, electronics and more.



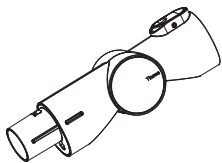
Flexible long crevice tool

Easy to bend, easy to reach tight spots. Suitable for cleaning dust behind and beneath furniture, around refrigerators, and many other tight gaps.



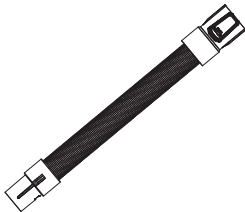
Full-size LED soft-roller power brush

Perfect for hard floors, especially sensitive wood floor. Picks up coarse and fine dirt at the same time.



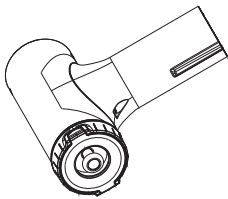
Multi-angle folding tube

An articulated joint makes it adjustable to allow for flexibility when cleaning from high to low.



Flexible extension hose

Excellent extension and flexibility to access hard-to-reach spaces; perfect for in-care use. Compatible with all non-motorized Tineco accessories.



Pre-filter cleaning tool

A dirty filter is a leading cause of suction loss, and this device is designed to make your filter last much longer. Place the dirty filter inside the pre-filter cleaning tool and close the lid. Run the appliance in MAX mode, and rotate the side cover.

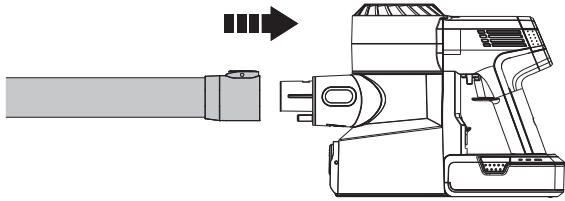


Hair cleaning tool

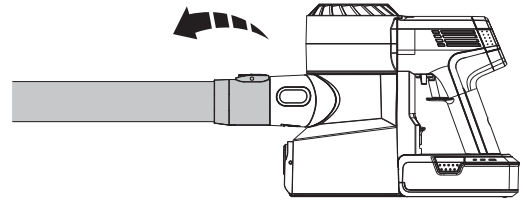
Use the end with the small blade to remove hair and debris wrapped around the roller. Use the end with the brush to clean the brush window, and the dustbin, as required.

Assembly

Tube Installation

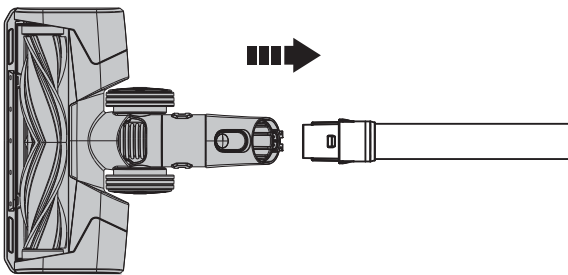


Insert tube.

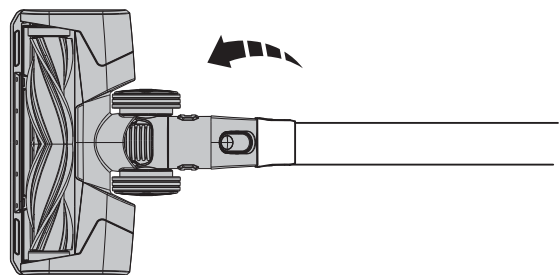


Press the release button to remove the tube.

Brush Installation

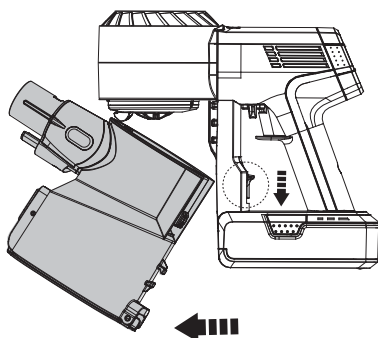


Insert the power brush.

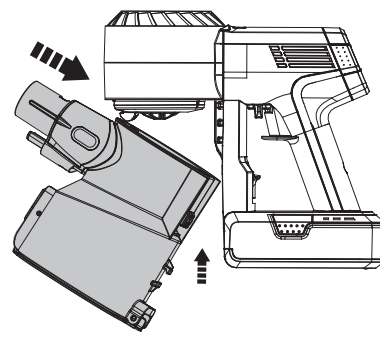


Press the release button to remove the power brush.

Dustbin Installation

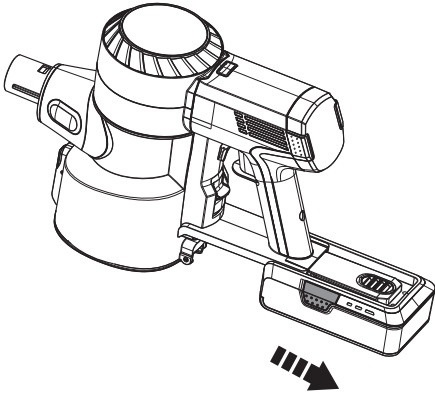


To clean the dustbin more thoroughly, press the dustbin release button to detach from the appliance.

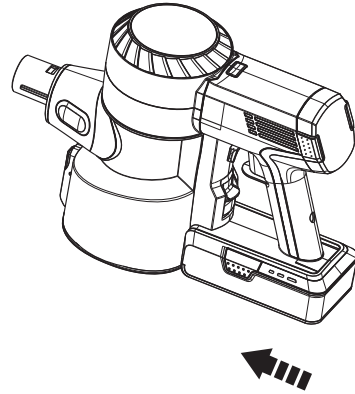


When re-attaching the dustbin, hold on an angle and slot the top of the dustbin into the hook on the main body. Push upwards until the hook is fixed into the slot on the dustbin and then it clicks back into place.

Battery Installation

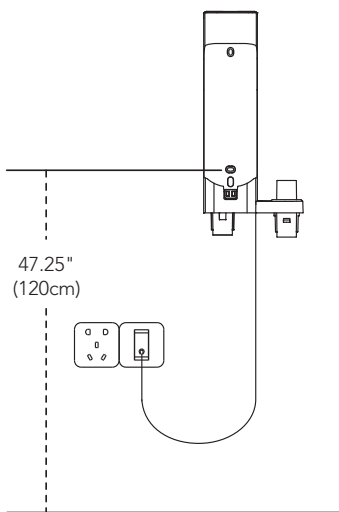


Press the battery release button, and remove the battery.

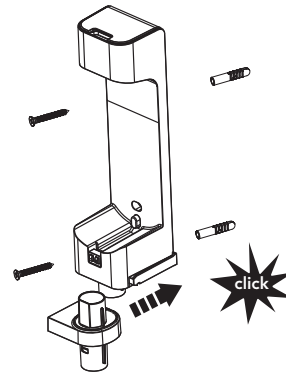


To replace, slide the battery into the slot at the base of the main body. The battery will click into position when correctly fitted.

Wall-mounted Dock Installation



Determine the best wall location for mounting the dock. We recommend placing it 47.25" (120cm) from the lower screw hole to the floor (may need to be adjusted based on the actual situation).



Assemble the two bracket components, with a "click" to signify correct assembly. Once this is complete, use the screws provided by Tineco to affix the dock to the wall.

Warning:

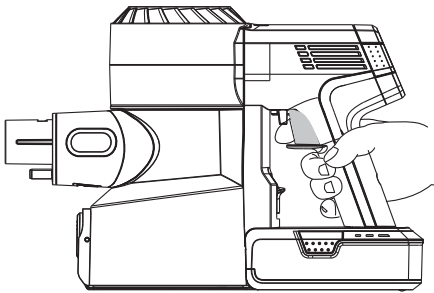
- Ensure the wall surrounding the mounting area is free of gas, water pipes, electrical cables and wires.
- To avoid the dock falling, ensure it is firmly installed.

Operation

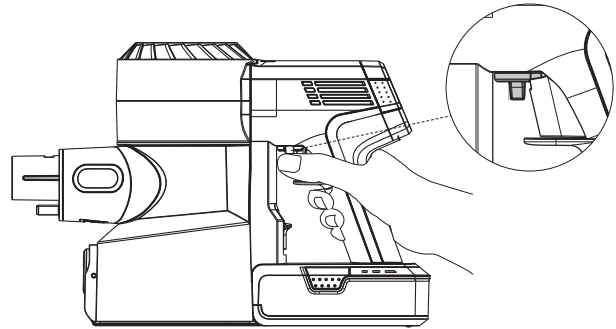
Preparing for Use

Note:

- Before the first use, please charge the appliance (see "Charging the Battery") for 3-4 hours in an area where the ambient temperature is between 39.2°F (4°C) and 104°F (40°C).
- Select an accessory and attach it to the appliance before use (see "Accessories").

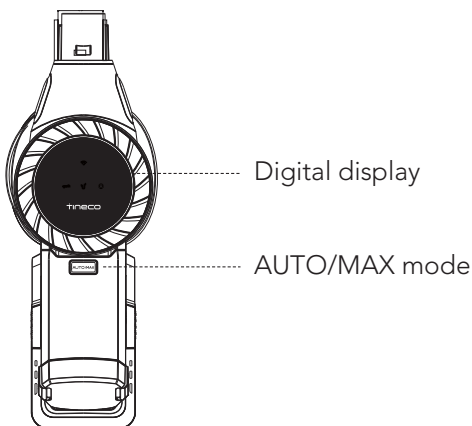


Pull the trigger to activate the suction.



Pull the trigger lock to hold the trigger for continuous power mode.

- **Keep sharp objects away from the digital display to avoid scratches and scrapes.**



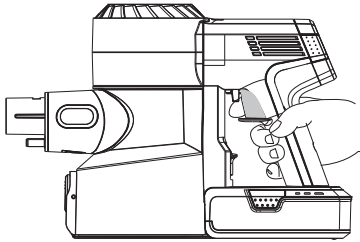
The appliance will start in AUTO mode by default. After 3 seconds, press the AUTO/MAX button to switch to Max mode and the button lights up.

Cleaning Mode Selection

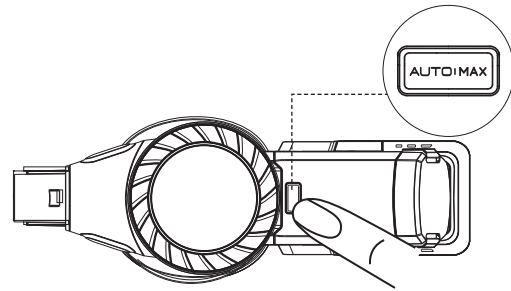
AUTO Mode

- In AUTO mode, the color of dust monitoring loop changes according to the amount of dust detected. A red dust monitoring loop indicates more dust is detected whereas a blue loop indicates less is detected. This mode automatically provides the best cleaning solution.

To enter AUTO mode:

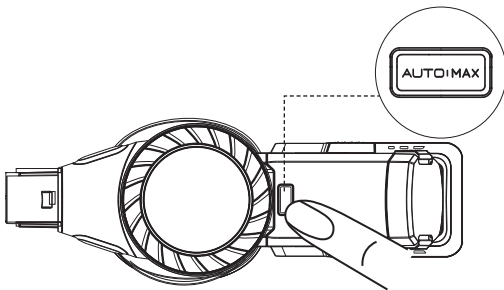


The default setting on startup is AUTO. The appliance then takes 3 seconds to initially detect blockages or dust. If no dust is detected, power is reduced to conserve energy.



When in MAX mode, press the AUTO/MAX button to enter AUTO mode.

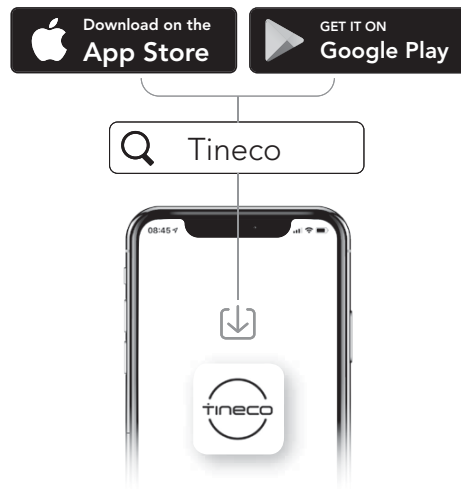
MAX Mode



In AUTO mode, press the AUTO/MAX button to enter MAX mode and the button lights up.

APP

- All the functions can be performed using the Tineco app. Download the Tineco app from the App Store, Google Play and Tineco Official Site.



- ✓ iOS 9.0 or later (iPhone 5s and above)
- ✓ Android 5.0 or later

App Function Introduction



Battery
Battery level in real time.



Cleaning report
Displays the dust amount, working hours and working status.



Suction adjustment
When in manual mode, swipe the phone screen to adjust suction power.



Reminder of filter status
Records the severity of the dirty filter and provides a cleaning reminder as required.

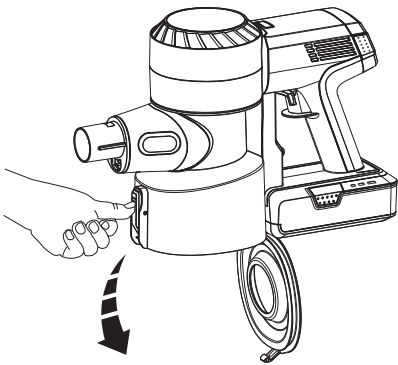


Contact us
You can contact the Customer Service about any problems during the working hours.

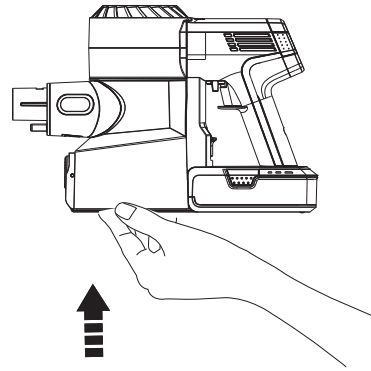


Feedback
If you have any comments, please send us your feedback.

Emptying the Dustbin

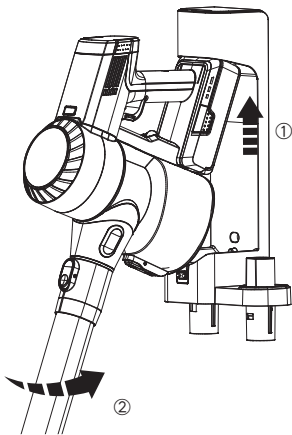


Press the release button on the side of the dustbin to empty the contents.

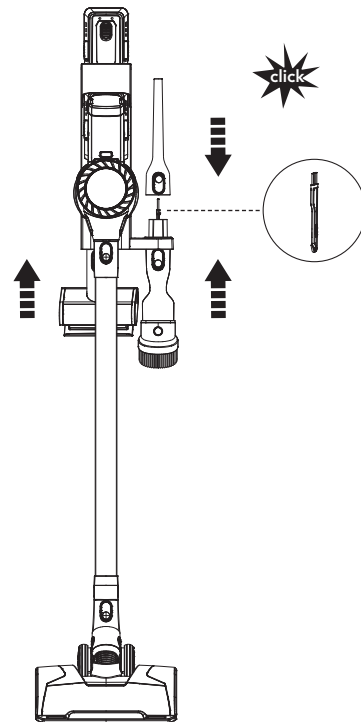


Close and click the dustbin flap back into place.

- Place the appliance on the wall-mounted dock for convenient storage and recharging after use.



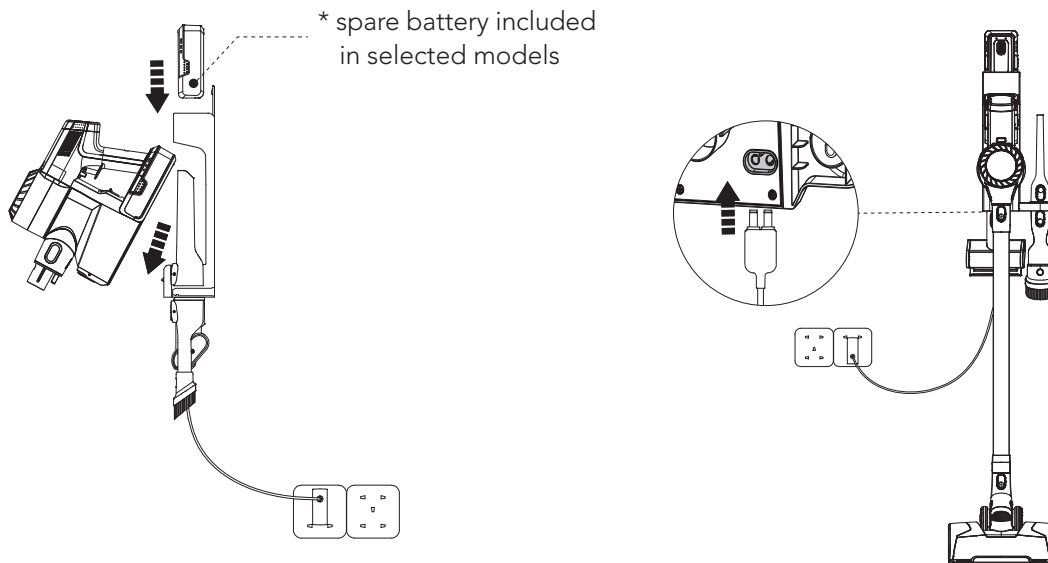
Place the main body on the dock.



To avoid bristle damage, always place attachments on the dock after use.

Charging the Battery

- When secured on the wall-mounted dock, the battery attached to the main body will charge first, followed by the spare battery.



Connect the adaptor to the dock and outlet.

To charge, secure the main body and/or the spare battery on the dock. The battery can be recharged while attached to the main body, or separately.

Note:

- If you need a spare battery, please purchase from Tineco.

Warning:

- Only use the Tineco-provided adaptor to charge the battery.
- During long periods of not being used, store the lithium battery in a cool, dry place. Ensure the battery is half-charged every 3 months (2 battery indicators illuminated).
- Store appropriately indoors in a dry place. Do not expose appliance to sunlight or freezing temperature. Recommended temperature range: 39.2°F (4°C)~104°F (40°C).

Runtime

- When in AUTO mode, the runtime is approximately 40 minutes. When MAX power is used, the runtime is approximately 10 minutes.
- Estimated runtime data was obtained by a Tineco Laboratory using one battery and non-motorized accessories.

Charging Time

- A full charge takes approximately 3-4 hours for one battery.
- Estimated data was obtained by a Tineco Laboratory using ambient temperatures between 39.2°F (4°C) to 104°F (40°C).

NE

Indicator

When in Use

Battery Indicator



Three solid blue lights: full power.



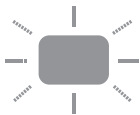
Two solid blue lights: medium power.



One solid blue light: low power.



One solid red light: out of power.



One blinking red light: fault, check the troubleshooting guide.

Main Body Indicator



Illuminated: working on MAX mode.



Blinking: motor failure.

Indicators on Display



Blinking: brush roller has a blockage.



Blinking: appliance has a blockage, either in the filter or the dustbin.



Blinking: sensor inside the dustbin is obstructed, or the dustbin is not correctly installed.



Illuminated: WiFi has successfully connected.



Blinking: WiFi is connecting.

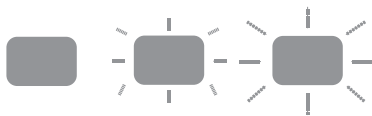


Off: WiFi is not connected, please connect.

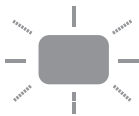


During Charging

- The spare battery will only charge when the one attached to the main body has been fully charged (spare battery included in selected models).



Three blue lights blinking successively: charging.



One blinking red light: fault, check the troubleshooting guide.

Fully Charged



In 5 minutes: three solid blue lights.



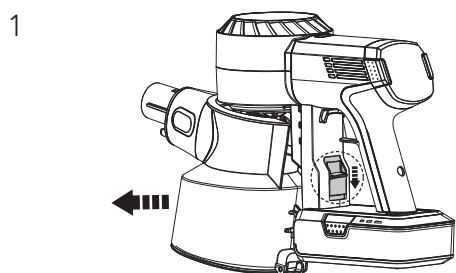
After 5 minutes: lights off.

Maintenance

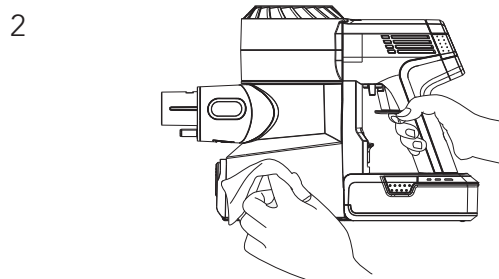
Note:

- Clean the dustbin and filters after each use.
- Use the cleaning tool to thoroughly clean the pre-filter when the indicator light shows a blocked air channel. To maintain high performance, wash and dry the pre-filter monthly, replacing it every 6 months.
Wash and dry the HEPA filter every 3 months, replacing it every 12 months.

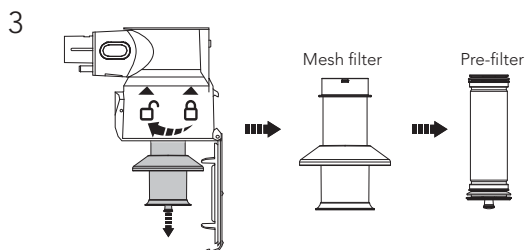
Dustbin and Mesh Filter



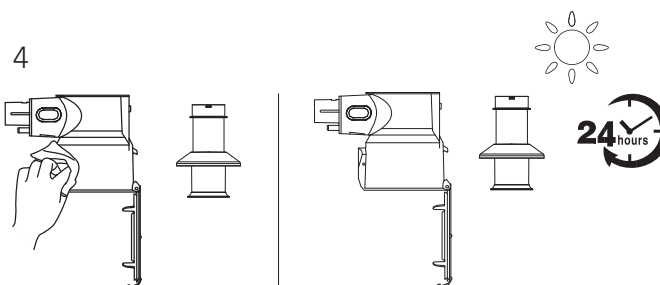
Press the dustbin release button to remove the dustbin.



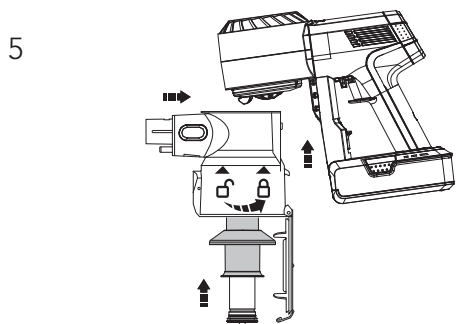
Clean with a damp cloth, taking care to prevent water entering the appliance main body and battery.



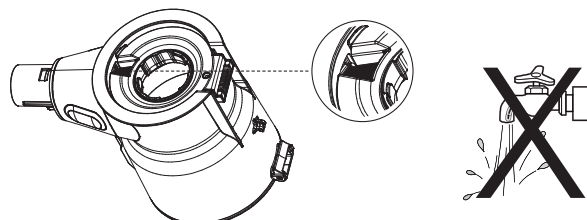
Turn counter-clockwise to remove the filters.



Clean the dustbin and mesh filter with a damp cloth. Air dry completely before reinstalling.



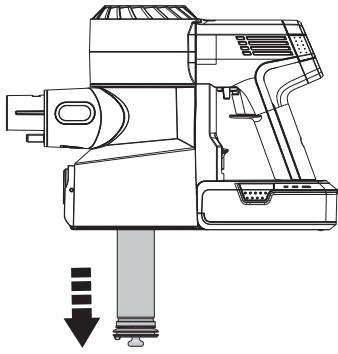
After cleaning, insert the clean pre-filter into the mesh filter properly and it clicks into place. Install the clean filter and dustbin back into the main body, then close the dustbin flap.



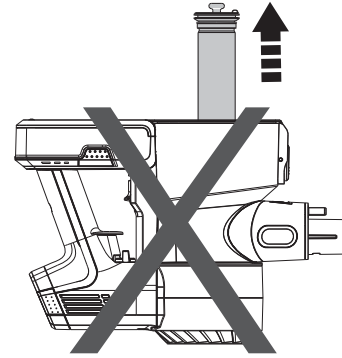
Warning:

- Do not wash the dustbin as it contains a dust sensor. If it comes into contact with water, please dry it with a hair dryer.

Pre-filter

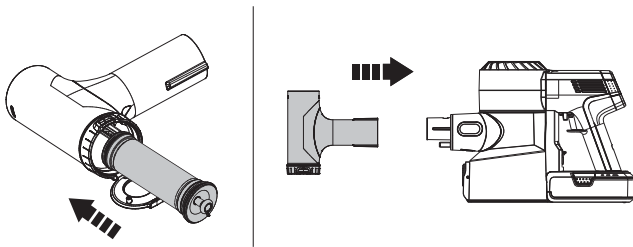


Ensure the appliance is switched off before cleaning, and remove the dirty pre-filter from the mesh filter-holder.

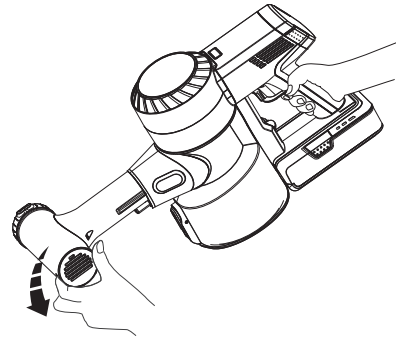


Do not turn the appliance upside down when removing or installing the filter to prevent dust from entering the motor.

NE

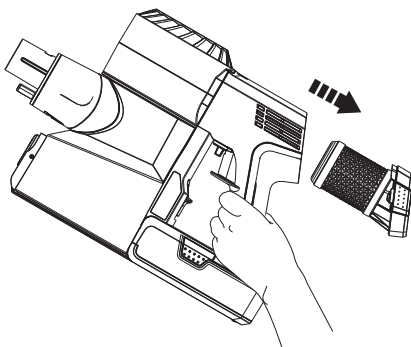


Replace a clean filter to the main body. Put the dirty pre-filter into the cleaning tool and connect the cleaning tool to the main body.

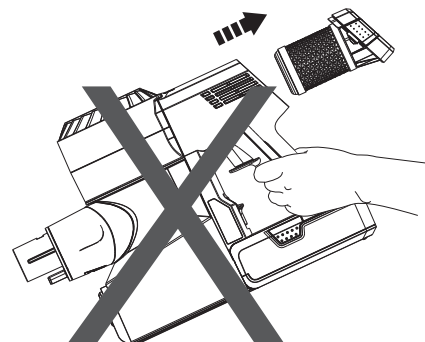


Run the appliance in MAX mode, and rotate the side cover to clean the dirty pre-filter.

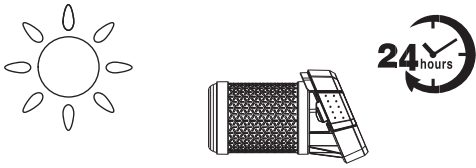
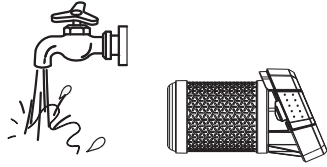
HEPA Filter



Press the HEPA release button and gently remove for cleaning. Do not use the appliance without first installing the HEPA filter.



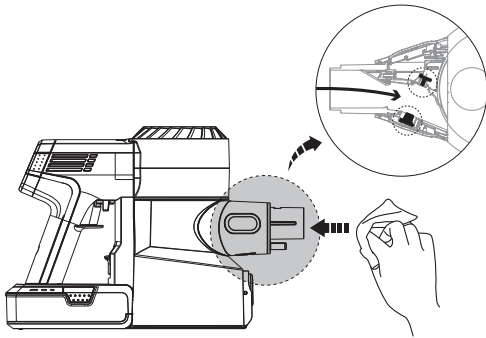
Do not place the appliance as above when removing or installing the HEPA filter, to prevent dust from entering the motor.



The HEPA filter can be washed under running water and must be completely dry before reinstalling.

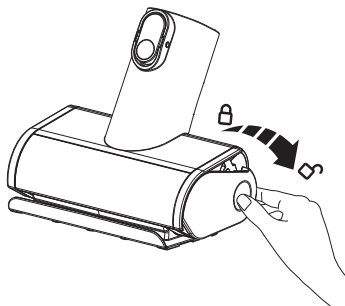
EN

Dust Sensor

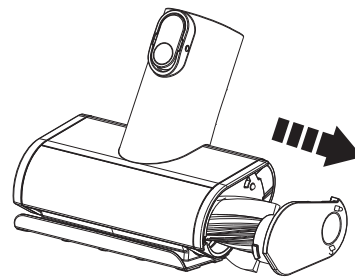


To avoid dust accumulation which can affect cleaning performance, wipe the suction mouth with a damp cloth.

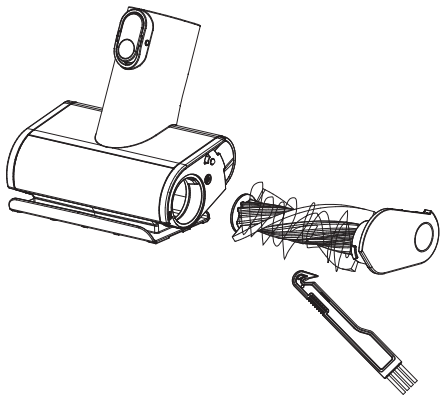
Mini Power Brush



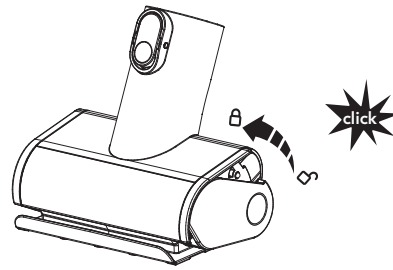
Press against the roller end cover downward.



Pull out the brush roller.

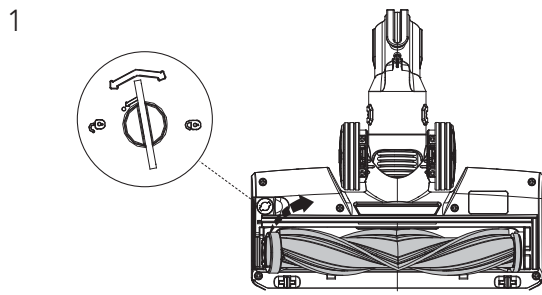


Remove the debris wrapped around the roller with the Tineco Hair Cleaning Tool.

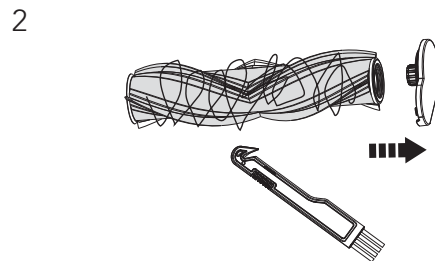


Fully reinsert the brush roller at an angle and push upward until it clicks securely back into place.

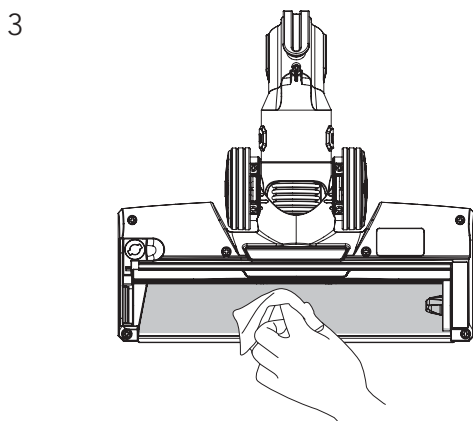
Brush Roller



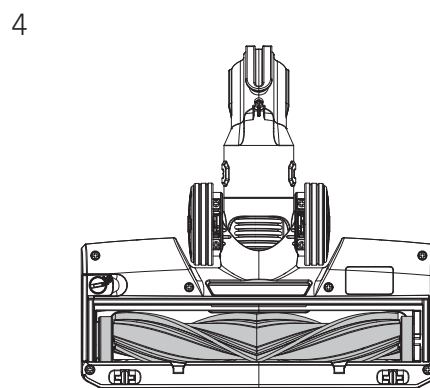
Use a coin or other tool, to unlock the brush roller lock, then remove the brush from the brush window.



Remove the debris wrapped around the roller with the Tineco Hair Cleaning Tool.



Gently clean the transparent brush window.



After cleaning, reinstall the brush.

Warning:


- The power brush contains electrical components which must not be soaked or washed with water.

Specifications

Product	PURE ONE S11 SERIES
Voltage	21.6V===
Rated Power	450W
Dustbin Capacity	0.6L
Charging Time	3-4 hrs for one battery
AC Input	100-240V~







EN

Disposal

- The battery contains materials that are harmful to the environment and must be removed from the appliance before it is discarded.
- When removing the battery, the appliance must be powered off.
- Batteries, chargers, accessories and packaging should be sorted for environmental friendly recycling. Do not put them into fire, water or soil. Do not dispose of batteries and chargers into household waste! 
- If battery leakage contacts skin or clothing, immediately flush with water to avoid irritation and seek medical help.

Troubleshooting

Problem	Possible cause	Solution
The appliance does not turn on	No power	Charge the battery
	Auto protection for overheating	Restart after cooling down
	The appliance is blocked (i.e. the tube, suction mouth or some other parts)	Check and remove blockages
Weak suction power	Dustbin and filters are full	Clean the dustbin and filters
	The pre-filter is not installed	Install the pre-filter
	The appliance is blocked (i.e. the tube, suction mouth or some other parts)	Remove blockages
	The brush roller tangled with hairs or fibers	Clean the brush roller
Abnormal motor sounds	The appliance is blocked (i.e. the tube, suction mouth or some other parts)	Remove blockages
Battery won't charge	The adaptor is not correctly inserted	Reinsert the adaptor correctly
	Insufficient contact between the main body and battery	Check the main body and battery are correctly placed
	The adaptor is not designed for PURE ONE S11	Use the original adaptor

Problem	Possible cause	Solution
Indicator light blinking on work 	Motor failure	Check the motor and cool it down
Brush roller tangled indicator blinking 	The brush roller is blocked	Remove blockages
Air channel blocked indicator blinking 	The appliance is blocked, or full of dust in filter and dustbin	Remove blockages, clean the filter and dustbin
Dust sensor malfunction indicator blinking 	<ol style="list-style-type: none"> 1. The sensor inside the dustbin is blocked 2. The dustbin is not installed 	<ol style="list-style-type: none"> 1. Clean the dust on the inner sensor 2. Install the dustbin correctly
WiFi indicator is off 	WiFi is not connected	Follow the in-app guide to connect to WiFi
Battery indicator blinking red on work 	Battery failure	Remove the battery pack and let it cool

Note:

If the above troubleshooting guide fails to provide a solution, please visit our website www.tineco.com for further support.

Warranty

2-YEAR LIMITED WARRANTY

- Only applies to purchases made from authorized retailers of Tineco.
- Is subject to the adherence of the requirements outlined in this instruction manual, and is subject to further conditions outlined below.

WHAT IS COVERED?

- Your Tineco appliance has a 2-year warranty against original defects in material and workmanship, when used for private household purposes in accordance with the Tineco Instruction Manual. Motorized accessories and battery bought separately come with a 1-year warranty.
- This warranty provides, at no extra cost to you, all labor and parts necessary to ensure your appliance is in proper operating condition during the warranty period.
- This warranty will only be valid if the appliance is used in the country in which it was sold.

WHAT IS NOT COVERED?

Tineco shall not be liable for costs, damages or repairs incurred as a result of:

- Appliances purchased from an unauthorized dealer.
- Careless operation or handling, misuse, abuse and/or lack of maintenance or use not in accordance with the Tineco Instruction Manual.
- Use of the appliance other than for normal domestic purposes, e.g. for commercial or rental purposes.
- Use of parts not in accordance with the Tineco Instruction Manual.
- Use of parts and accessories other than those produced or recommended by Tineco.
- External factors unrelated to product quality and use, such as weather, modifications, accidents, electrical outages, power surges or acts of God.
- Repairs or alterations carried out by unauthorized parties or agents.
- Failing to clear blockage and other hazardous material from the appliance.
- Normal wear and tear, including normal wearing parts, such as clear bin, belt, filter, HEPA, brush bar, and power cord (or where external damage or abuse is diagnosed), carpet or floor damage due to use not in accordance with manufacturer's instructions or failure to turn the brush bar off when necessary.
- Reduction in battery discharge time due to battery age or use.

WARRANTY LIMITATIONS

- Any implied warranties relating to your appliance including but not limited to warranty of merchantability or warranty of fitness for a particular purpose, are limited to the duration of this warranty.
- Warranty coverage applies to the original owner and to the original battery only and is not transferable.
- This limited warranty gives you specific legal rights. You may also have other rights which vary by region.
- Manufacturer's warranties may not apply in all cases, depending on factors such as use of the product, where the product was purchased, or who you purchased the product from. Please review the warranty carefully, and contact the manufacturer if you have any questions.

WARRANTY SERVICE

Register: We highly recommend that upon purchase, you register your appliance on the Tineco official website (www.tineco.com) and enjoy exclusive benefits. To register, please enter the last 11 digits of the serial number (remove the dustbin to find the serial number).

Failure to register your product won't diminish your warranty rights.



How to Claim: Please retain your proof of purchase. To make a claim under our Limited Warranty, you need to provide your serial number and the original purchase receipt with the purchase date and order number on it.

All work will be carried out by Tineco or an authorized agent.

Any replaced defective parts will become the property of Tineco.

Service under this warranty will not extend the period of this warranty.

Contact our Customer Service
Hotline: **1-855-292-8864**
or Visit Tineco website
www.tineco.com
for expert customer service.


CONTENIDO

Medidas importantes de seguridad	28
Descripción general	31
Accesorios	33
Montaje	35
Funcionamiento.....	37
Mantenimiento	44
Especificaciones.....	48
Resolución de problemas	49
Garantía.....	51

TINECO ESTÁ AQUÍ PARA AYUDAR.

Nos pondremos en contacto con usted dentro de 1 día laboral.

 www.tineco.com

 **1-855-292-8864**
Lun-Vie 9:00-18:00 (CST)

Medidas importantes de seguridad

CONSERVE ESTAS INSTRUCCIONES

Solo para uso doméstico.

Al usar aparatos eléctricos se deben seguir siempre una serie de medidas básicas de seguridad, entre ellas las siguientes:

LEA TODAS LAS INSTRUCCIONES ANTES DE USAR ESTE APARATO. De no seguir todas las advertencias e instrucciones, se podrían producir descargas eléctricas, un incendio y/o lesiones personales graves.

ADVERTENCIA – Para disminuir el riesgo de incendios, descargas eléctricas o lesiones:

1. Este aparato puede ser utilizado por niños a partir de 8 años y personas con discapacidades físicas, sensoriales o mentales, o con falta de experiencia y conocimientos, si están supervisados o han recibido instrucciones sobre el uso del aparato de modo seguro y comprenden los peligros que dicho uso acarrea. Los niños no deberán jugar con el aparato. La limpieza y mantenimiento a cargo del usuario no deberán ser realizados por niños sin supervisión.
2. El aparato no debe ser utilizado por personas (niños incluidos) con discapacidades físicas, sensoriales o mentales, o con falta de experiencia y conocimientos, a menos que lo hagan bajo supervisión o se les haya dado instrucciones.
3. SOLO para uso en INTERIORES. No use el aparato en el exterior, ni en entornos comerciales o industriales. No use el aparato sobre superficies húmedas o que tengan agua.
4. No permita que se utilice el aparato como un juguete. Es necesario vigilar atentamente cuando niños usen el aparato o se utilice en la cercanía de niños, mascotas o plantas.
5. Use el aparato solo como se indica en este manual. Use solo accesorios recomendados por el fabricante.
6. No use el aparato si el cable o el enchufe están dañados. Si el aparato se ha caído o dañado, se ha dejado a la intemperie, ha caído al agua o no funciona como debiera, llévelo a un centro de servicio.
7. No manipule el cargador, incluido el enchufe del cargador, ni los terminales del cargador con las manos mojadas.
8. No introduzca ningún objeto en las aberturas. No use el aparato si alguna de sus aberturas está obstruida. Manténgalo sin polvo, fibras, pelo y cualquier elemento que pudiera reducir el flujo de aire.
9. Mantenga el pelo, la ropa holgada, los dedos y todas las partes del cuerpo alejados de las aberturas y partes móviles.
10. Lleve mucho cuidado al limpiar escaleras.
11. No aspire líquidos inflamables o combustibles, tales como, gasolina, ni lo use en lugares donde pudieran estar presentes.
12. No aspire nada que se esté quemando o humeando, por ejemplo, cigarrillos.
13. No use el aparato sin el filtro.
14. Evite puestas en marcha accidentales. Verifique que el interruptor está en posición de apagado antes de conectar la batería, tomar el aparato o desplazarlo. Llevar el aparato con el dedo en el interruptor o activar el aparato con el interruptor en posición de

- encendido puede originar accidentes.
15. Desconecte la batería del aparato antes de realizar ajustes, cambiar accesorios o almacenarlo. Tales medidas preventivas disminuyen el riesgo de poner el aparato en funcionamiento por accidente.
 16. Para cargar la batería, use únicamente la unidad separable de suministro incluida con este aparato. Un cargador apto para un tipo de batería podría presentar un riesgo de incendio si se usa con otra batería.
 17. Use los aparatos solo con las baterías Tineco especialmente diseñadas. El uso de cualquier otro tipo de batería puede presentar riesgos de incendio y lesiones personales.
 18. Cuando no esté usando la batería, manténgala alejada de objetos metálicos, tales como clips, monedas, llaves, clavos, tornillos y otros objetos metálicos pequeños que pudieran conectar un terminal con el otro. Cortocircuitar los terminales de la batería puede causar quemaduras o un incendio.
 19. Si se hace un mal uso de la batería, el líquido de su interior podría salirse. Evite el contacto con ese líquido. Si hubiera un contacto accidental, lávese con agua abundante. Si el líquido entra en contacto con los ojos, solicite ayuda médica. El líquido que sale de la batería puede causar irritación o quemaduras.
 20. No use la batería ni el aparato si estuvieran dañados o modificados. Las baterías dañadas o modificadas pueden presentar comportamientos impredecibles y causar un incendio, explosión o riesgo de lesiones personales.
 21. No exponga la batería ni el aparato al fuego o al calor excesivo. Su exposición al fuego o a temperaturas superiores a 130 °C puede causar una explosión.
 22. Siga todas las instrucciones de carga y no cargue la batería o el aparato a temperaturas fuera del rango especificado en las instrucciones. Una carga incorrecta o a una temperatura fuera del rango especificado puede dañar la batería y aumentar el riesgo de que se produzca un incendio.
 23. Las reparaciones deben ser realizadas por personal cualificado que utilice únicamente piezas de repuesto idénticas a las originales. Esto garantizará que la seguridad del producto se mantenga.
 24. Este aparato posee células de batería no reemplazables. No modifique ni trate de reparar el aparato o la batería, a excepción de lo indicado en las instrucciones para su uso y cuidados.
 25. Apague siempre el aparato antes de conectar o desconectar la boquilla motorizada.
 26. No cargue ni guarde el aparato a la intemperie ni dentro de un vehículo. Solo cargue, guarde o use la batería en interiores secos donde la temperatura sea superior a 4 °C, pero inferior a 40 °C. El cargador solo es apto para usarse en interiores.

Declaración de conformidad del proveedor de la FCC

Tineco / SERIE PURE ONE S11

Este aparato cumple con la sección 15 de las normas de la FCC. El funcionamiento está sujeto a las siguientes dos condiciones:

(1) Este aparato no puede causar interferencia perjudicial y (2) este aparato debe aceptar cualquier interferencia recibida, incluidas aquellas que puedan causar una operación no deseada.

Los cambios o modificaciones que no hayan sido expresamente aprobados por la parte responsable del cumplimiento podrían invalidar el derecho del usuario de operar el equipo.

Nota: Este equipo ha sido probado y se ha determinado que cumple con los límites de un aparato digital de Clase B según lo estipulado en la sección 15 de las normas de la FCC. Estos límites están diseñados para proporcionar una protección razonable contra las interferencias perjudiciales en una instalación residencial. Este equipo genera, consume y puede irradiar energía de radiofrecuencia y, si no se instala ni utiliza de acuerdo con las instrucciones, puede causar interferencias perjudiciales en las radiocomunicaciones. Sin embargo, no se garantiza que no se producirán interferencias en una instalación determinada. Si este equipo causa interferencias perjudiciales en la recepción de radio o televisión, lo cual puede determinarse encendiendo y apagando el equipo, se recomienda al usuario que intente corregir la interferencia tomando una o más de las siguientes medidas:

- (1) Reoriente o reubique la antena receptora.
- (2) Aumente la separación entre el equipo y el receptor.
- (3) Conecte el equipo a una toma de corriente que esté en un circuito distinto al del receptor.
- (4) Consulte al distribuidor o a un técnico de radio/TV experimentado para obtener ayuda.

Declaración de exposición a la radiación de la FCC

Este equipo cumple con los límites de exposición a la radiación de la FCC establecidos para un entorno no controlado.

Nota

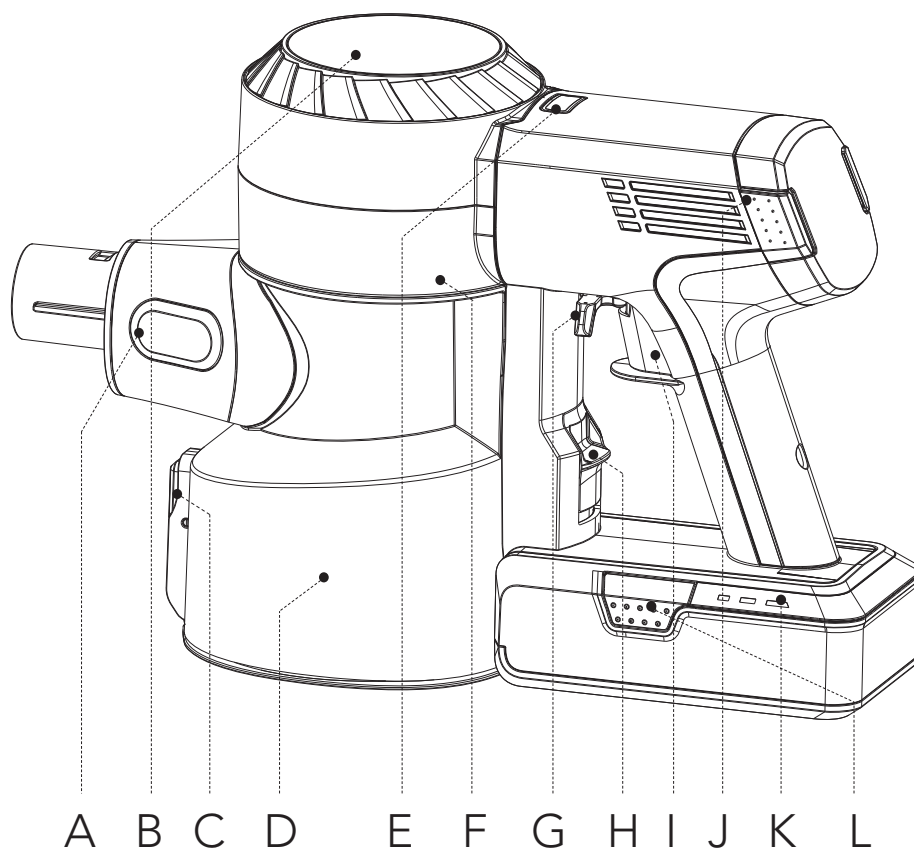
El fabricante no se hace responsable de ninguna interferencia de radio o televisión que sea consecuencia de modificaciones no autorizadas realizadas a este equipo; dichas modificaciones podrían invalidar el derecho del usuario de operar este equipo.

Nota de Industry Canada (IC)

Este aparato contiene transmisores/receptores exentos de licencia que cumplen con las Especificaciones de estándares de radio (RSS, por sus siglas en inglés) exentas de licencia del departamento de ISED (del inglés Innovation, Science and Economic Development, "innovación, ciencia y desarrollo económico") de Canadá. El funcionamiento está sujeto a las siguientes dos condiciones:

- (1) Este aparato no puede causar interferencias.
- (2) Este aparato debe aceptar cualquier interferencia, incluidas aquellas que puedan causar un funcionamiento indeseado del aparato.
 - Este aparato digital de Clase B cumple con la norma canadiense ICES-003.
 - Este equipo cumple con los límites de exposición a la radiación de la norma RSS-102 de ISED establecidos para un entorno no controlado. Este equipo debe instalarse a una distancia mínima de 20 cm entre el radiador y cualquier parte del cuerpo del operador, así como mantener esta distancia durante su uso.

Descripción general



A. Sensor del polvo

B. Pantalla digital

C. Botón de liberación de vaciado del polvo

D. Depósito de polvo

E. Botón AUTO/MAX

F. Botón de reinicio de Wi-Fi (retire el depósito para acceder)

G. Bloqueo de gatillo

H. Botón de liberación del depósito de polvo

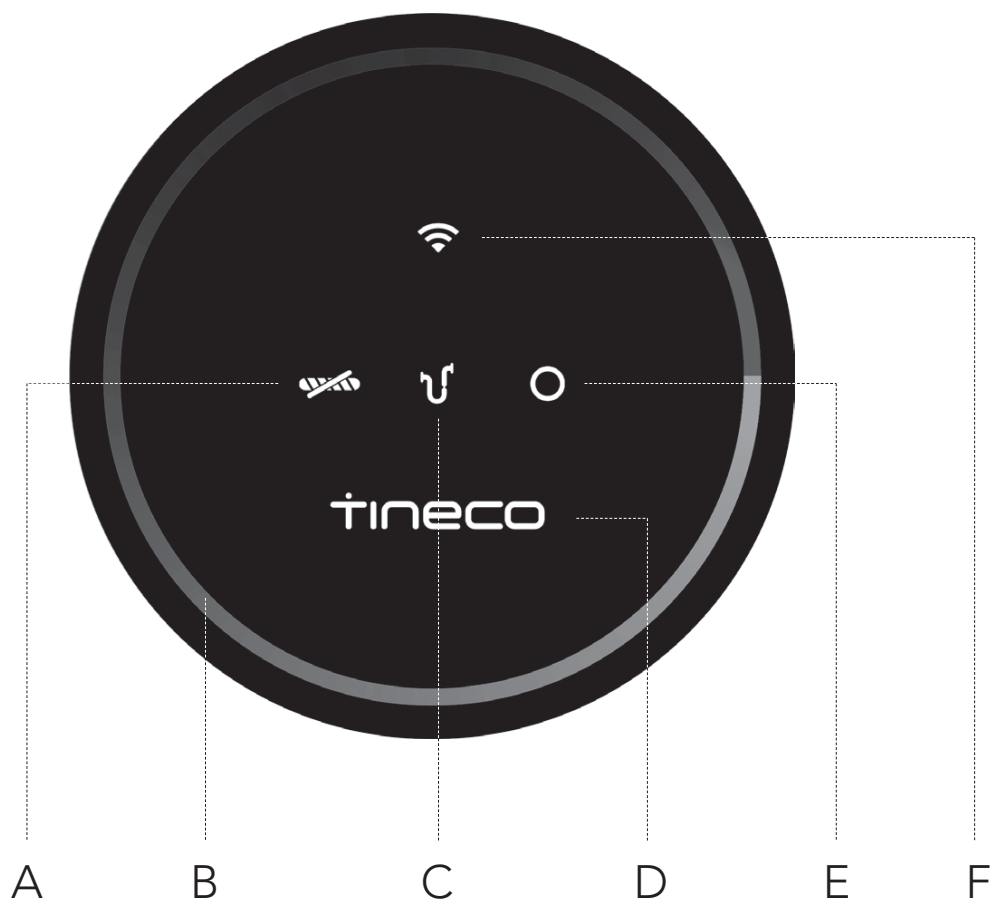
I. Gatillo

J. Botón de liberación del filtro HEPA

K. Luz indicadora de la batería

L. Botón de liberación de la batería

Pantalla digital



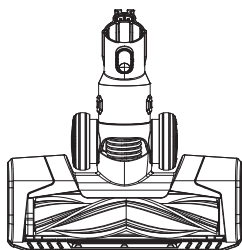
- A. Cepillo de rodillo enredado
- B. Bucle de la monitorización de polvo
(azul o rojo según la cantidad de polvo)

- C. Canal de aire obstruido
- D. Logotipo de Tineco
- E. Sensor de polvo defectuoso
- F. Indicador de Wi-Fi

Accesorios

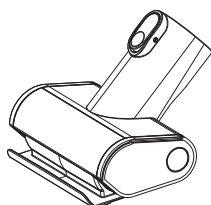
Nota:

- Pruebe un accesorio en un área pequeña y poco visible antes de usarlo sobre superficies sensibles.
- El embalaje muestra los accesorios incluidos con su compra.
- Como se ilustra abajo, hay muchos componentes compatibles con este modelo. Si necesita más accesorios, visite www.tineco.com o store.tineco.com.



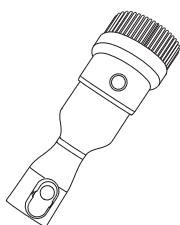
Cepillo eléctrico LED multitarea de tamaño completo

Ideal tanto para suelos duros como para alfombras. Muy eficaz para agitar la suciedad incrustada en la alfombra.



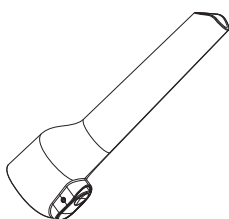
Minicepillo eléctrico

Para aspirar muebles tapizados, colchones, etc. Aspira pelo de mascotas y elimina la suciedad incrustada.



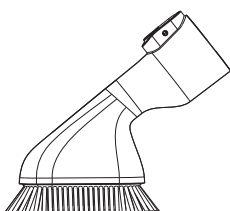
Cepillo para el polvo 2 en 1

Alterna entre un cepillo ancho y uno suave pulsando el botón de liberación. El cepillo suave es más eficaz en muebles de superficie dura y el cepillo ancho para muebles tapizados, cortinas, etc.



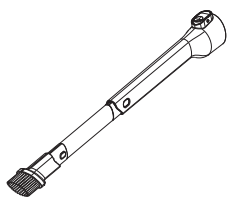
Boquilla para ranuras

Para esquinas, recovecos y otros lugares difíciles de alcanzar, como asientos de coche, marcos de fotos y armarios.



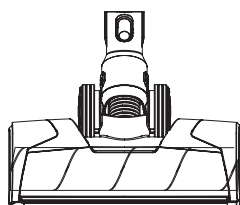
Cepillo blando para el polvo

Fibras en ángulo de forma delgada y ovalada que proporcionan un contacto acolchado antiestático. Apto para estantes, lámparas, superficies delicadas, aparatos electrónicos y mucho más.



Accesorio largo flexible para ranuras

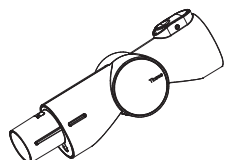
Fácil de doblar, facilita llegar a lugares más estrechos. Adecuado para limpiar el polvo de detrás y debajo de los muebles, alrededor de frigoríficos y muchos otros espacios estrechos.



Cepillo eléctrico de rodillo suave de tamaño normal LED

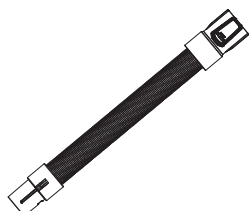
Perfecto para suelos duros, en especial para suelos de madera delicados.

Recoge residuos gruesos y finos al mismo tiempo.



Tubo plegable de múltiples ángulos

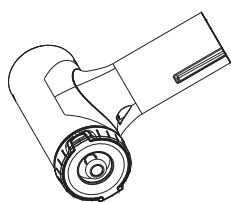
Una junta articulada permite ajustarlo para permitir flexibilidad al limpiar de alto a bajo.



Manguera de extensión flexible

Extensión y flexibilidad excelentes para alcanzar lugares difíciles. Perfecto para uso de mantenimiento.

Compatible con todos los accesorios Tineco no motorizados.



Herramienta de limpieza de filtro previo

Un filtro sucio es la causa principal de la pérdida de succión. Este dispositivo está diseñado para que el filtro dure más tiempo.

Coloque el filtro sucio dentro de la herramienta de limpieza del filtro previo y cierre la tapa. Active el aparato en modo MAX y gire la tapa lateral.



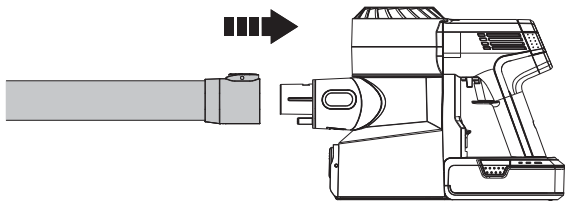
Accesorio para limpiar pelo

Use el extremo con la pala pequeña para eliminar pelo y residuos enganchados alrededor del rodillo.

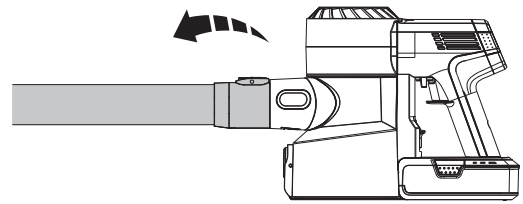
Utilice el extremo con el cepillo para limpiar la ventana y el cubo de polvo, según sea necesario.

Montaje

Instalación del tubo

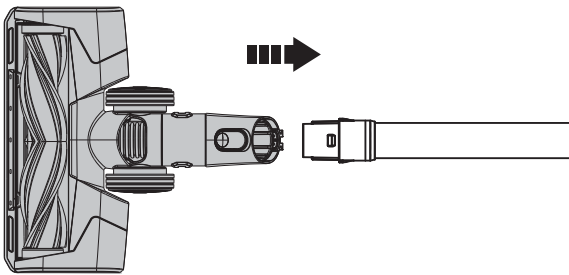


Inserte el tubo.

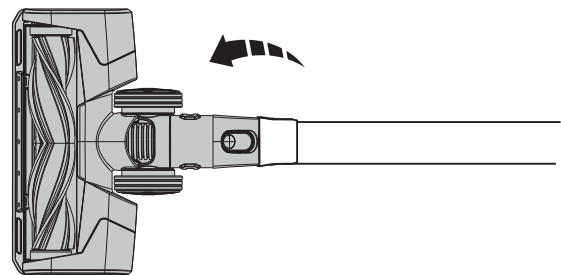


Presione el botón de liberación para retirar el depósito.

Instalación del cepillo

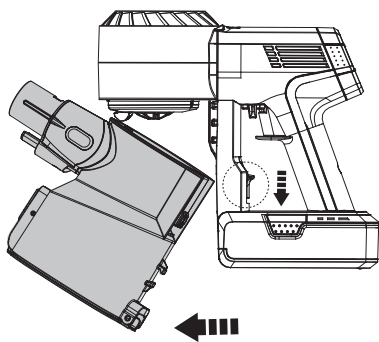


Inserte el cepillo eléctrico.

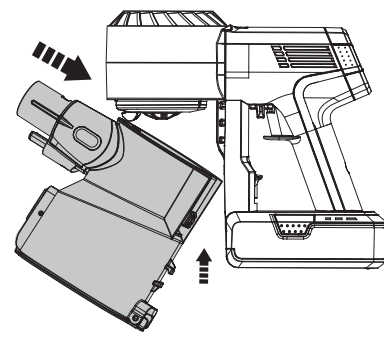


Presione el botón de liberación para retire el cepillo eléctrico.

Instalación del depósito de polvo

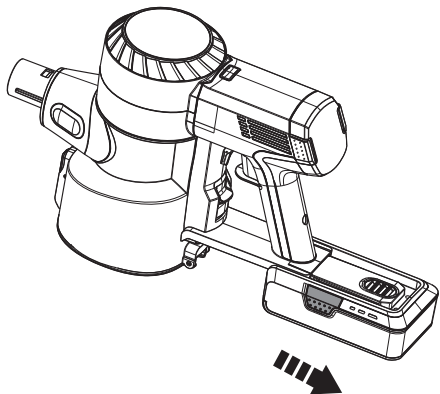


Para limpiar el depósito de polvo mejor, pulse el botón de liberación del depósito de polvo para desacoplarlo del aparato.

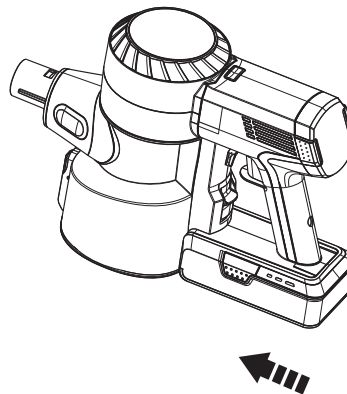


Cuando desacople el depósito de polvo, sosténgalo inclinado y acople la parte superior del depósito de polvo en el gancho del cuerpo principal. Empuje hacia arriba hasta que el gancho quede fijo en la ranura del depósito y volverá a encajar en su lugar.

Instalación de la batería



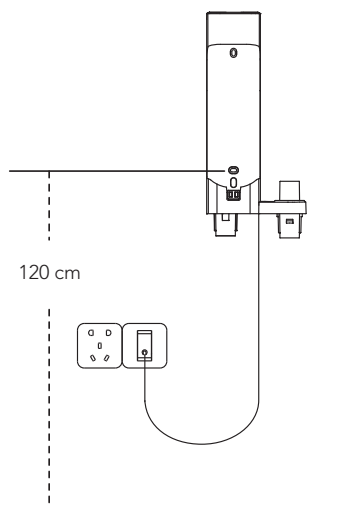
Presione el botón de liberación de la batería y, luego, sáquela.



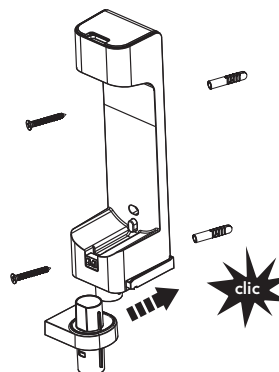
Deslice la batería en la ranura de la base del cuerpo principal para volver a colocarla. La batería se enganchará en su lugar cuando esté correctamente colocada.

ES

Instalación del puerto de montaje en pared



Determine la mejor ubicación para montar el puerto. Se recomienda colocarlo a una distancia de 120 cm respecto a la fijación inferior con el suelo (es posible que sea necesario ajustarlo según la situación real).



Monte los dos componentes del soporte; se escuchará un chasquido cuando esté montado correctamente. Una vez hecho, utilice los tornillos proporcionados por Tineco para fijar el puerto a la pared.

Advertencia:

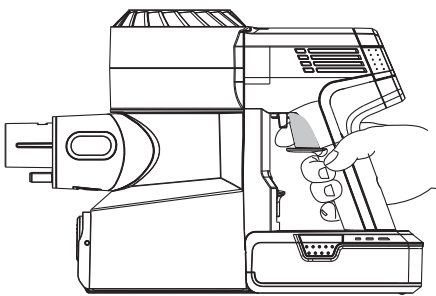
- Compruebe que la pared que rodea al área de montaje no tenga tuberías de gas o agua ni cables eléctricos.
- Para evitar que el puerto caiga, compruebe que esté instalado firmemente.

Funcionamiento

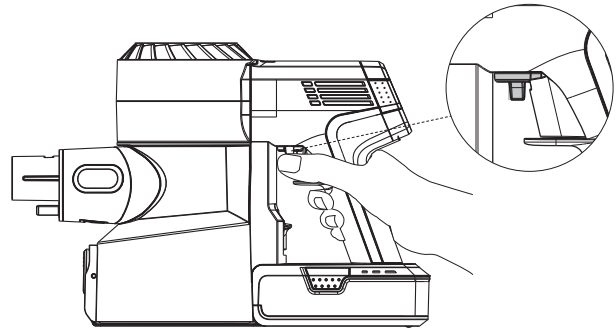
Preparación para el empleo

Nota:

- Antes del primer uso, cargue el aparato (consulte "Carga de la batería") durante 3-4 horas en un área donde la temperatura ambiente sea de entre 4 °C y 40 °C.
- Seleccione un accesorio y acóplelo al aparato antes de usarlo (consulte "Accesorios").

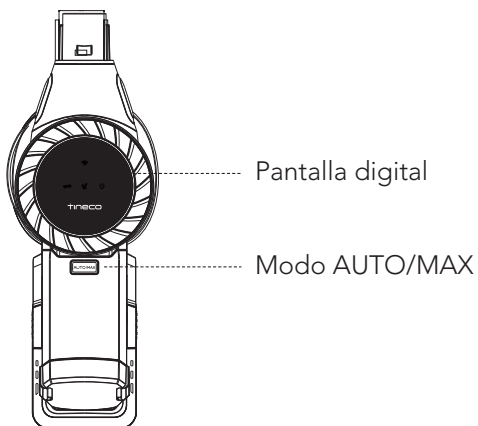


Presione el gatillo para activar la succión.



Presione el bloqueo de gatillo para mantener el gatillo en modo de acción continua.

- Mantenga los objetos afilados alejados de la pantalla digital para evitar arañazos y rasguños.



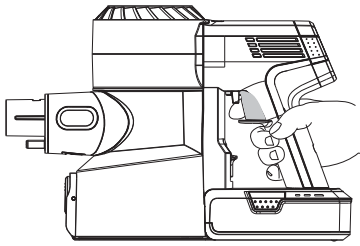
Este aparato se inicia en modo AUTO de forma predeterminada. Al cabo de 3 segundos, pulse el botón AUTO/MAX para cambiar a modo Max y el botón se iluminará.

Selección del modo de limpieza

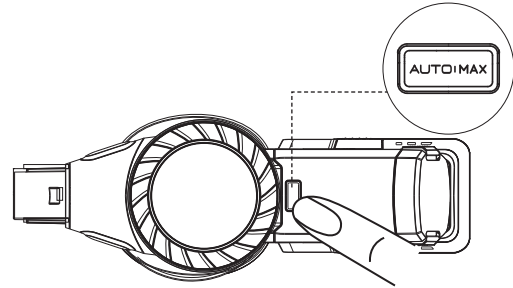
Modo AUTO

- En modo AUTO, el color del bucle de monitorización de polvo cambia según la cantidad de polvo detectada. Si el bucle de control de polvo es de color rojo, indica que se detecta más polvo, mientras que, si es azul, se detecta menos suciedad. Este modo proporciona automáticamente la mejor solución de limpieza.

Para entrar en modo AUTO:

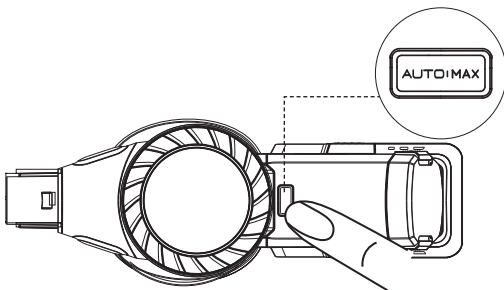


El ajuste predeterminado de inicio es AUTO. El aparato tarda 3 segundos en detectar inicialmente obstrucciones o polvo. Si no detecta polvo, se reduce la potencia para ahorrar energía.



En modo MAX, pulse el botón AUTO/MAX para acceder al modo AUTO.

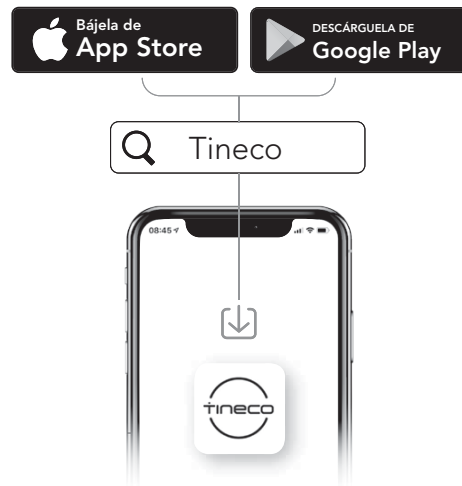
Modo MAX



En modo AUTO, pulse el botón AUTO/MAX para acceder al modo MAX y el botón se iluminará.

Aplicación

- Todas las funciones se pueden realizar con la aplicación Tineco. Descargue la aplicación Tineco en el App Store, la tienda Google Play o el sitio web oficial de Tineco.



- ✓ iOS 9.0 o posterior (iPhone 5s o superior)
- ✓ Android 5.0 o superior

Introducción de las funciones de la aplicación



Batería

Nivel de la batería en tiempo real.



Informe de limpieza

Muestra la cantidad de polvo, las horas de funcionamiento y el estado de funcionamiento.



Ajuste de succión

En modo manual, deslice un dedo en la pantalla del teléfono para ajustar la potencia de succión.



Recordatorio del estado del filtro

Registra el estado del filtro de suciedad y muestra un recordatorio de limpieza cuando sea necesario.



Contacte con nosotros

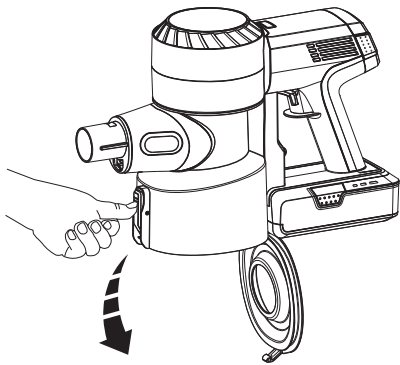
Puede contactar con el Servicio de Atención al Cliente si tiene problemas durante las horas laborables.



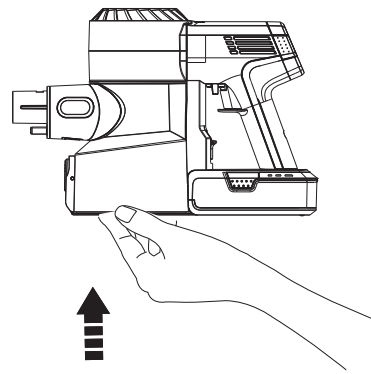
Comentarios

Si tiene comentarios, envíenoslos.

Vaciado del depósito de polvo

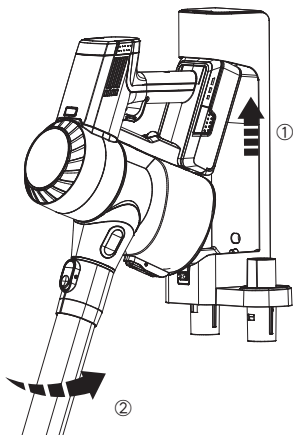


Cuando haya terminado, presione el botón de liberación ubicado en el lateral del depósito de polvo y vacíe el contenido.

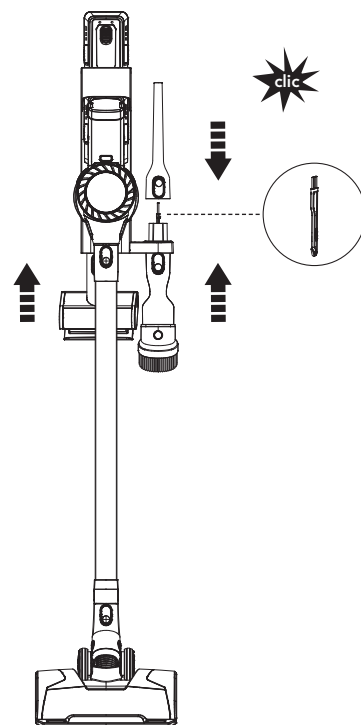


Cierre y haga clic en la tapa del depósito de polvo para volver a colocarla.

- Coloque el aparato sobre el puerto de montaje en pared para almacenarlo de forma cómoda y recargarlo después de usarlo.



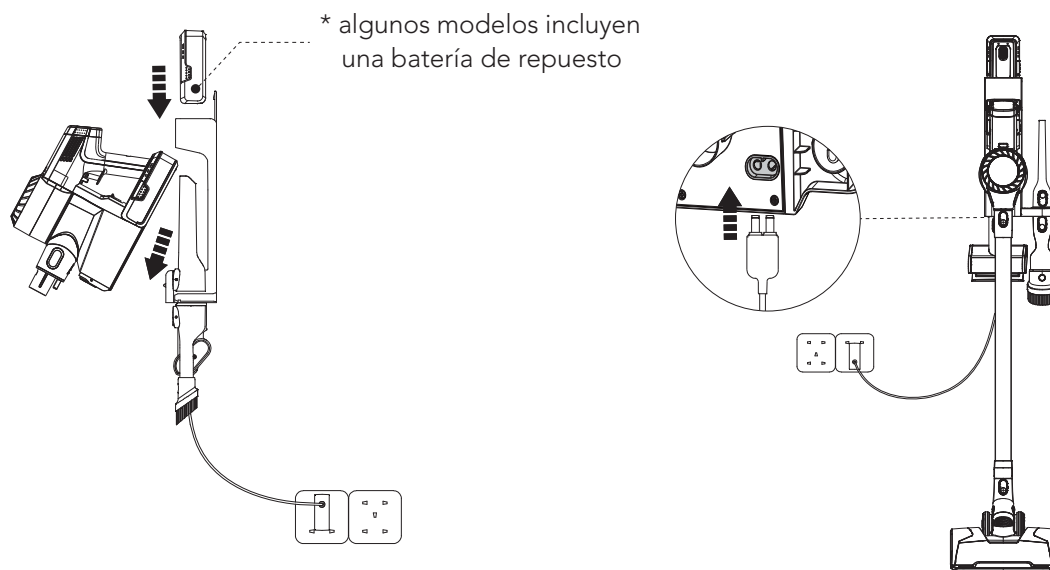
Coloque el cuerpo principal en el puerto.



Para evitar daños en las cerdas, coloque siempre los accesorios en el puerto después de usarlo.

Carga de la batería

- Cuando esté fijada en el puerto de montaje en pared, la batería acoplada al cuerpo principal se cargará primero y después la batería de repuesto.



Conecte el adaptador al puerto y a la toma.

Para cargarlo, fije el cuerpo principal y/o la batería de repuesto al puerto. Se puede recargar la batería estando acoplada al cuerpo principal o por separado.

Nota:

- Si necesita una batería de repuesto, cómprela a Tineco.

Advertencia:

- Utilice solo el adaptador proporcionado por Tineco para cargar la batería.
- Si no se utiliza durante un periodo prolongado, almacene la batería de litio en un lugar fresco y seco. Compruebe que la batería esté cargada a la mitad cada 3 meses (2 indicadores de batería iluminados).
- Guárdela en lugar seco en interiores. No exponga el aparato a la luz directa del sol ni a temperaturas por debajo de cero grados. Rango de temperaturas recomendado: entre 4 °C y 40 °C.

Tiempo de funcionamiento

- En el modo AUTO, el tiempo de funcionamiento es de aproximadamente 40 minutos. Cuando se utiliza potencia máxima, el tiempo de funcionamiento es de aproximadamente 10 minutos.
- Los datos de tiempo de funcionamiento estimado se han obtenido en el laboratorio Tineco utilizando una batería y accesorios no motorizados.

Tiempo de carga

- Una carga completa de una batería tarda unas 3-4 horas.
- Los datos estimados se han obtenido en un laboratorio Tineco con temperaturas ambiente de entre 4 °C a 40 °C.

Indicador

Durante el uso

Indicador de batería



Tres luces azules sólidas: carga completa.



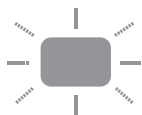
Dos luces azules fijas: media carga.



Una luz azul sólida: carga baja.



Una luz roja sólida: sin alimentación.



Una luz roja parpadeando durante la carga: fallo, consulte la guía de resolución de problemas.

Indicador del cuerpo principal



Iluminado: funciona en modo MAX.



Parpadea: fallo del motor.

Indicadores en la pantalla



Parpadea: el cepillo de rodillo tiene una obstrucción.



Parpadea: el aparato tiene una obstrucción, en el filtro o en el depósito de polvo.



Parpadea: el sensor del interior del depósito de polvo está obstruido o el depósito de polvo no está correctamente instalado.



Iluminado: la conexión Wi-Fi se ha realizado correctamente.



Parpadeante: la red Wi-Fi se está conectando.



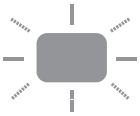
Apagado: la red Wi-Fi no está conectada, conéctese.

Durante la carga

- La batería de repuesto solo se cargará cuando la que está instalada en el cuerpo principal se haya cargado completamente (algunos modelos incluyen una batería de repuesto).



Tres luces azules parpadean sucesivamente: cargando.



Una luz roja parpadeando durante la carga: fallo, consulte la guía de resolución de problemas.

Completamente cargado



En 5 minutos: tres luces azules sólidas.



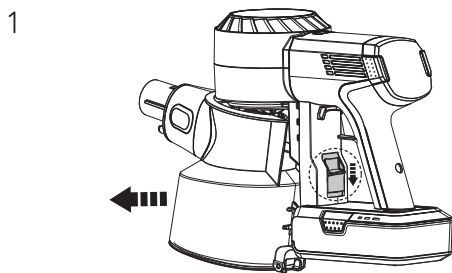
Después de 5 minutos: luces apagadas.

Mantenimiento

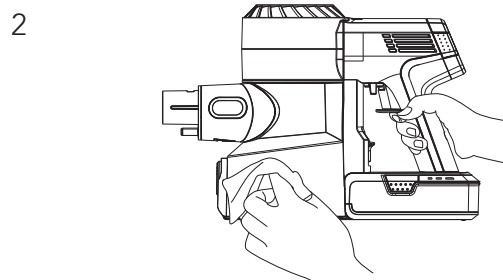
Nota:

- Limpie el depósito de polvo y los filtros después de cada uso.
- Utilice la herramienta de limpieza para limpiar bien el filtro previo cuando la luz indicadora muestre un canal de aire bloqueado. Para mantener un rendimiento elevado, lave y seque el filtro previo cada mes, sustituyéndolo cada 6 meses. Lave y seque el filtro HEPA cada 3 meses, sustituyéndolo cada 12 meses.

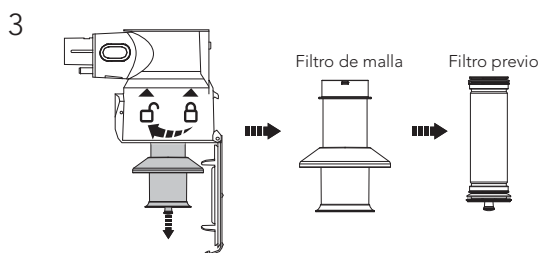
Depósito de polvo y filtro de malla



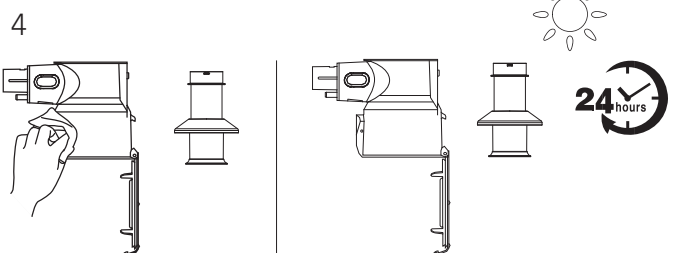
Presione el botón de liberación del depósito para retirarlo.



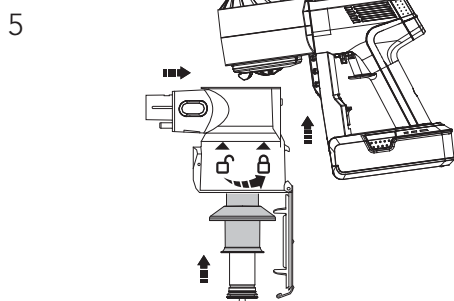
Limpie con un paño húmedo, procurando evitar que entre agua en el cuerpo principal de aparato y la batería.



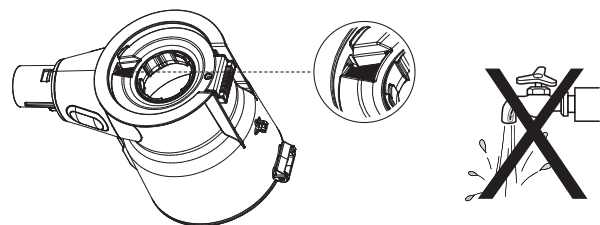
Gire en sentido contrario al de las agujas del reloj para retirar los filtros.



Limpie el depósito de polvo y el filtro de malla con un paño húmedo. Seque completamente con aire antes de volver a instalarlo.



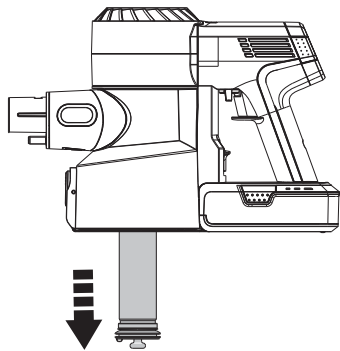
Después de limpiarlo, inserte bien el filtro previo en el filtro de malla hasta que encaje con un chasquido. Instale los filtros limpios y el depósito de polvo en el cuerpo principal y, luego, vuelva a colocar la tapa del depósito de polvo.



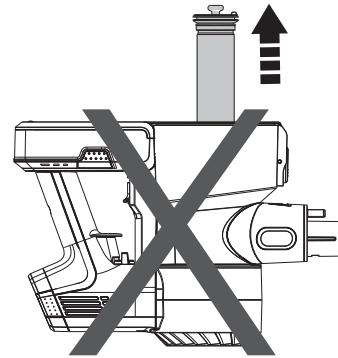
⚠ Advertencia:

- No lave el depósito de polvo ya que contiene un sensor de polvo. Si entra en contacto con agua, séquelo con un secador de pelo.

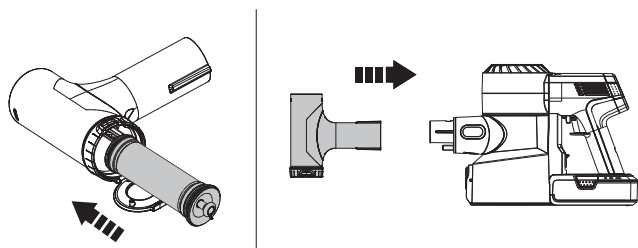
Filtro previo



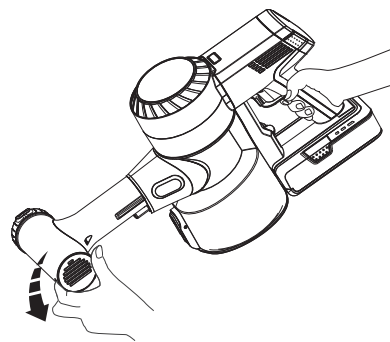
Compruebe que el aparato esté apagado antes de limpiarlo y retire el filtro previo del soporte del filtro de malla.



No ponga el aparato al revés cuando quite o instale el filtro para evitar que el polvo entre en el canal de aire del motor.

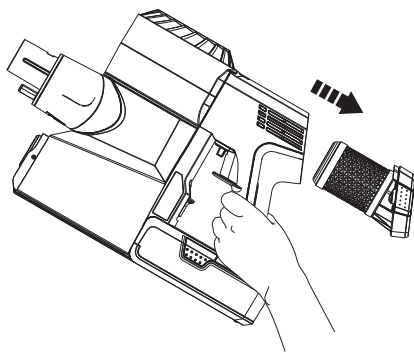


Vuelva a colocar el filtro limpio en la carcasa principal. Ponga el filtro previo sucio en la herramienta de limpieza y conecte la herramienta de limpieza a la carcasa principal.

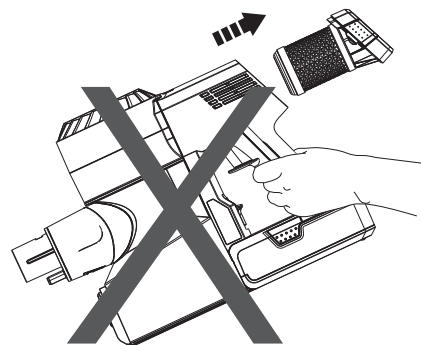


Active el aparato en modo MAX y gire la cubierta lateral para limpiar la suciedad del filtro previo.

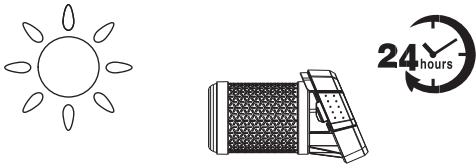
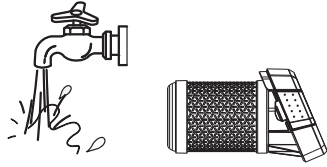
Filtro HEPA



Presione el botón de liberación del HEPA y sáquelo suavemente para limpiarlo. No utilice el aparato sin instalar primero el filtro HEPA.



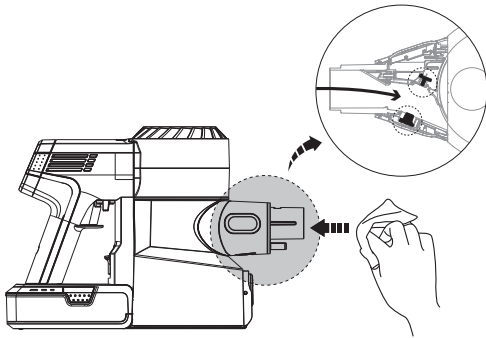
No ponga el aparato en la posición indicada arriba cuando quite o instale el filtro HEPA para evitar que el polvo entre en el canal de aire del motor.



El filtro HEPA se puede lavar bajo agua corriente y debe secarse completamente antes de volver a instalarlo.

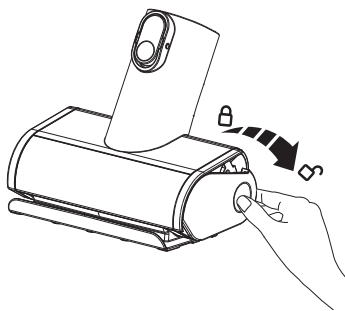
ES

Sensor del polvo

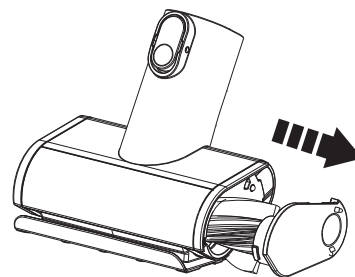


Limpie la boca de succión con un paño húmedo para evitar una acumulación de polvo que pueda afectar al rendimiento de limpieza.

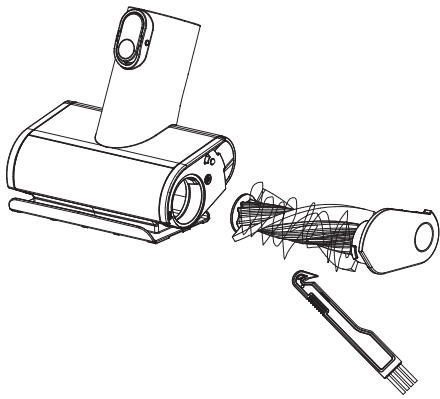
Minic cepillo eléctrico



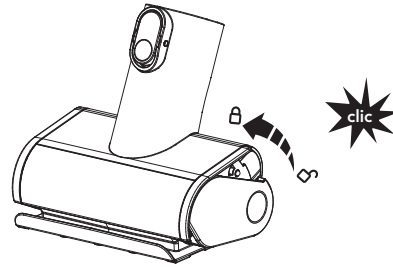
Presione la cubierta del rodillo final hacia abajo.



Retire el cepillo de rodillo.



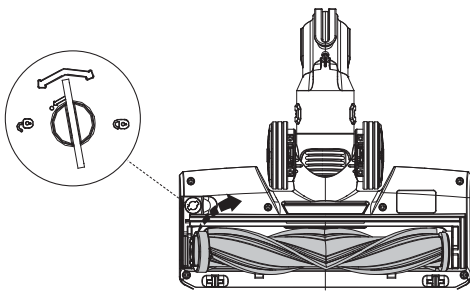
Elimine los restos enrollados alrededor del rodillo con la herramienta de limpieza de pelo Tineco.



Vuelva a insertar completamente el cepillo de rodillo inclinado y presiona hacia arriba hasta que quede encajado de forma segura.

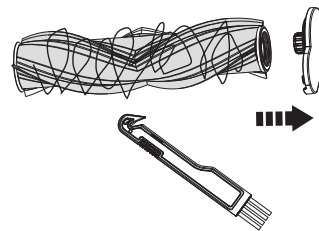
Cepillo de rodillo

1



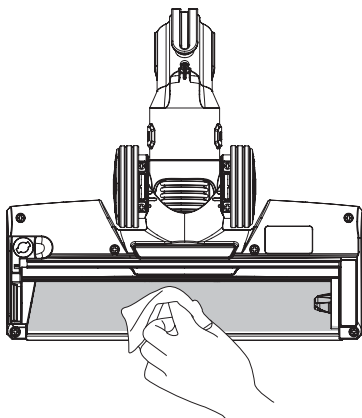
Use una moneda o cualquier otra herramienta para desbloquear el cepillo de rodillo y, luego, retire el cepillo de su ventana.

2



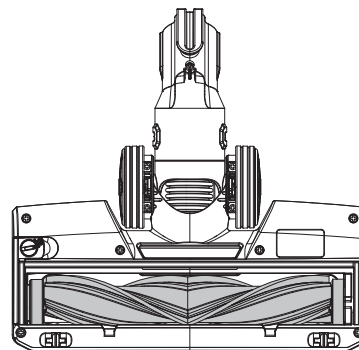
Elimine los restos enrollados alrededor del rodillo con la herramienta de limpieza de pelo Tineco.

3



Limpie con cuidado la ventana transparente del cepillo.

4



Después de limpiarlo, vuelva a instalar el cepillo.


Advertencia:

- El cepillo eléctrico contiene componentes eléctricos que no se pueden remojar ni lavar con agua.

Especificaciones







Producto	SERIE PURE ONE S11
Tensión	21,6 V \equiv
Potencia nominal	450 W
Capacidad del depósito de polvo	0,6 l
Tiempo de carga	3-4 horas por batería
Entrada CA	100-240 V \sim

Eliminación

- La batería contiene materiales dañinos para el medioambiente y debe retirarse del aparato antes de desecharlo.
- Al retirar la batería, el aparato debe estar apagado.
- Las baterías, cargadores, accesorios y embalaje deben clasificarse para reciclarlos de un modo respetuoso con el medio ambiente. No los arroje al fuego, al agua o sobre el terreno. ¡No deseche las baterías y cargadores junto con la basura doméstica! 
- Si la batería presenta fugas y el líquido entra en contacto con la piel o la ropa, enjuáguelos inmediatamente con agua para evitar irritación y consulte con un médico.

Resolución de problemas

Problema	Posible causa	Solución
El aparato no se enciende	No tiene suministro eléctrico	Cambie la batería
	Protección automática para sobrecalentamiento	Vuélvalo a encender una vez frío
	El aparato está obstruido (es decir, el tubo, la boca de succión o cualquier otra pieza)	Examínela y retire las obstrucciones
Potencia de succión débil	El depósito de polvo y los filtros están llenos	Limpie el depósito de polvo y los filtros
	El filtro previo no está instalado	Instale el filtro previo
	El aparato está obstruido (es decir, el tubo, la boca de succión o cualquier otra pieza)	Retire las obstrucciones
	El cepillo de rodillo está enredado con pelo o fibras	Limpie el cepillo de rodillo
Sonidos anómalos del motor	El aparato está obstruido (es decir, el tubo, la boca de succión o cualquier otra pieza)	Retire las obstrucciones
La batería no se carga	El adaptador no está correctamente insertado	Vuelva a insertar el adaptador correctamente
	El contacto entre el cuerpo principal y la batería es insuficiente	Verifique que la carcasa principal y la batería están bien colocadas
	El adaptador no está diseñado para PURE ONE S11	Use el adaptador original

Problema	Posible causa	Solución
<p>La luz indicadora parpadea en funcionamiento</p> 	Fallo del motor	Compruebe el motor y enfríelo
<p>El indicador de cepillo de rodillo atascado parpadea</p> 	El cepillo de rodillo está obstruido	Retire las obstrucciones
<p>Indicador de canal de aire bloqueado parpadeando</p> 	El aparato está bloqueado o el depósito de polvo y el filtro están llenos	Retire las obstrucciones y limpie el filtro y el depósito de polvo
<p>El indicador de sensor del polvo defectuoso parpadea</p> 	<ol style="list-style-type: none"> 1. El sensor del interior del depósito de polvo está bloqueado 2. El depósito de polvo no está instalado 	<ol style="list-style-type: none"> 1. Limpie el polvo del sensor interior 2. Instale el depósito de polvo correctamente
<p>El indicador del Wi-Fi está apagado</p> 	La red Wi-Fi no está conectada	Siga las indicaciones de la aplicación para conectarse a la red Wi-Fi
<p>El indicador rojo de la batería parpadea</p> 	Fallo de la batería	Retire la batería y deje que se enfríe

Nota:

Si la guía de resolución de problemas no incluye una solución, visite nuestro sitio web www.tineco.com para recibir más ayuda.

Garantía

GARANTÍA LIMITADA DE 2 AÑOS

- Solo se aplica a las compras realizadas a minoristas autorizados de Tineco.
- Está sujeta al cumplimiento de los requisitos descritos en este manual de instrucciones y otras condiciones descritas a continuación.

¿CUÁL ES LA COBERTURA?

- El aparato Tineco tiene una garantía de 2 años contra defectos originales en materiales y mano de obra, cuando se usa para fines domésticos privados de acuerdo con el manual de instrucciones de Tineco. Los accesorios motorizados y la batería comprados por separado tienen una garantía de 1 año.
- Esta garantía proporciona, sin coste adicional, toda la mano de obra y las piezas necesarias para garantizar que el aparato se encuentre en buenas condiciones de funcionamiento durante el período de garantía.
- Esta garantía solo será válida si el aparato se utiliza en el país donde se vendió.

¿CUÁLES SON LOS ARTÍCULOS SIN COBERTURA?

Tineco no será responsable de los costes, daños o reparaciones incurridos como resultado de:

- Aparatos adquiridos en un distribuidor no autorizado.
- Mala manipulación o manipulación descuidada, mal uso, abuso y/o falta de mantenimiento o usos no conformes con el manual de instrucciones de Tineco.
- Uso del aparato para otros fines que no sean fines domésticos normales, por ejemplo. para fines comerciales o de alquiler.
- Uso de piezas no conformes con el manual de instrucciones de Tineco.
- Uso de piezas y accesorios distintos a los producidos recomendados por Tineco.
- Factores externos no relacionados con la calidad del agua y el uso, como el clima, modificaciones, accidentes, apagones, picos de tensión o causas naturales.
- Reparaciones o alteraciones realizada por personas o agentes no autorizados.
- No realizar el desbloqueo de obstrucción y otros materiales peligrosos del aparato.
- Desgaste normal, incluidas las piezas de desgaste normal, como el recipiente transparente, la correa, el filtro, el HEPA, la barra de cepillo y el cable de alimentación (o por daños o abusos externos identificados), daños en la alfombra o en el suelo por uso indebido o no de acuerdo con las instrucciones del fabricante.
- Reducción del tiempo de descarga de la batería debido a su uso o antigüedad.

LIMITACIONES DE GARANTÍA

- Cualquier garantía implícita relacionada con el aparato, que incluye, entre otras, la garantía de comerciabilidad o la garantía de adecuación para un propósito particular, se limita a la duración de esta garantía.
- La cobertura de la garantía se aplica únicamente al propietario original y a la batería original; no es transferible.
- Esta garantía limitada le otorga derechos legales específicos. También puede tener otros derechos que varían según la región.
- Es posible que las garantías del fabricante no se apliquen en todos los casos, dependiendo de factores como el uso del producto, el lugar donde se compró el producto o quién lo compró. Revise la garantía cuidadosamente y contacte con el fabricante si tiene alguna pregunta.

GARANTÍA Y SERVICIO

Registro: Le recomendamos encarecidamente que registre el aparato en el sitio web oficial de Tineco (www.tineco.com) y disfrute de beneficios exclusivos. Para registrarlo, introduzca los últimos 11 dígitos del número de serie (retire el depósito de polvo para encontrar el número de serie).

No registrar el aparato no implica pérdida de derechos de garantía.



Cómo hacer una reclamación: Conserve el recibo de compra. Para realizar una reclamación bajo su garantía limitada, debe enviar el número de serie y el recibo original de compra con la fecha de compra y el número de pedido.

Todo trabajo será responsabilidad de Tineco o de algún agente autorizado.

Cualquier pieza defectuosa reemplazada pasará a ser propiedad de Tineco.

El servicio bajo esta garantía no extenderá el período de esta garantía.

Póngase en contacto con nuestra línea de atención al cliente:

1-855-292-8864

o visite la página web de Tineco

www.tineco.com

para recibir ayuda experta.


SOMMAIRE

Consignes de sécurité importantes	54
Description.....	57
Accessoires.....	59
Assemblage	61
Fonctionnement	63
Entretien	70
Spécifications	74
Guide de dépannage	75
Garantie.....	77

TINECO EST LÀ POUR VOUS AIDER.

Nous vous répondrons dans 1 jour ouvrable.

 www.tineco.com

 **1-855-292-8864**
Lu. - Ve. 9 h à 18 h (CST)

Consignes de sécurité importantes

CONSERVEZ CES INSTRUCTIONS

Usage domestique exclusivement.

Lorsque vous utilisez un appareil électrique, veuillez respecter des précautions de sécurité élémentaires, incluant les suivantes :

LISEZ TOUTES LES INSTRUCTIONS AVANT L'UTILISATION (DE CET APPAREIL). Le non-respect des consignes de sécurité et des instructions peut provoquer un choc électrique, un incendie et/ou des blessures graves.

AVERTISSEMENT – Afin de réduire le risque d'incendie, de choc électrique ou de blessures corporelles :

1. Cet appareil peut être utilisé par des enfants à partir de 8 ans et par des personnes dont les capacités physiques, sensorielles ou mentales sont réduites, ou des personnes dénuées d'expérience ou de connaissance, si elles ont pu bénéficier, par l'intermédiaire d'une personne responsable de leur sécurité, d'une surveillance ou d'instructions préalables concernant l'utilisation de l'appareil. Les enfants ne doivent pas jouer avec cet appareil. Le nettoyage et l'entretien ne doivent pas être effectués par des enfants sans surveillance.
2. Cet appareil n'est pas destiné à être utilisé par des personnes (y compris les enfants) ayant des capacités physiques, sensorielles ou mentales limitées, ou manquant d'expérience et/ou de connaissances, sauf si elles sont surveillées ou ont reçu des instructions.
3. Cet appareil est conçu pour un usage en INTÉRIEUR UNIQUEMENT. N'utilisez pas cet appareil en plein air, ni dans un environnement commercial ou industriel. N'utilisez pas l'appareil sur des surfaces mouillées ou avec de l'eau stagnante.
4. Veillez à ce que cet appareil ne soit pas utilisé comme un jouet. Une attention particulière est nécessaire lorsque l'aspirateur est utilisé près d'enfants, d'animaux domestiques ou de plantes.
5. Utilisez l'appareil uniquement de la manière décrite dans ce manuel. Utilisez exclusivement les accessoires recommandés par le constructeur.
6. N'utilisez pas l'appareil si son câble d'alimentation ou sa prise est endommagé(e). Si l'appareil est tombé, est endommagé, a été laissé à l'extérieur ou en contact avec de l'eau ou ne fonctionne pas correctement, retournez-le à un centre d'entretien.
7. Ne manipulez pas le chargeur, y compris la prise et/ou les bornes du chargeur avec les mains mouillées.
8. N'insérez aucun objet dans les ouvertures. N'utilisez pas l'appareil si l'une des ouvertures est obstruée. Veillez à éviter l'accumulation dans les ouvertures de tout ce qui pourrait diminuer le flux d'air (poussières, peluches, poils, etc.).
9. Gardez les cheveux, les vêtements amples, les doigts et autres parties du corps éloignés des ouvertures et des pièces en mouvement.
10. Soyez particulièrement vigilant(e) en passant l'aspirateur dans les escaliers.
11. N'utilisez pas cet appareil pour aspirer des liquides combustibles ou inflammables, comme l'essence, et ne passez pas l'aspirateur dans une pièce où se trouvent de tels liquides.

12. Ne passez en aucun cas l'aspirateur sur des objets brûlants ou incandescents, comme des cigarettes, des allumettes ou des cendres chaudes.
13. Ne faites pas fonctionner cet appareil sans le filtre.
14. Évitez la mise en marche accidentelle. Vérifiez que l'interrupteur marche/arrêt est en position d'arrêt avant d'insérer la batterie, de saisir l'appareil ou de le porter. Transporter l'appareil avec un doigt sur l'interrupteur ou le brancher alors que son interrupteur est en position de marche favorise les accidents.
15. Déconnectez la batterie de l'appareil avant d'effectuer un réglage, de changer un accessoire ou de ranger l'appareil. Ces mesures de sécurité permettent de réduire les risques de démarrage accidentel de l'appareil.
16. Pour recharger la batterie, utilisez uniquement l'unité d'alimentation détachable fournie avec cet appareil. Un chargeur adapté à un seul type de batterie peut présenter un risque d'incendie s'il est utilisé avec une batterie différente.
17. Utilisez cet appareil uniquement avec des batteries Tineco spécialement conçues pour cet usage. L'utilisation de toute autre batterie peut créer un risque de blessures et d'incendie.
18. Lorsque la batterie n'est pas utilisée, elle doit être rangée loin de tout objet métallique, tel que trombone, pièce de monnaie, clef, clou, vis et tout autre petit objet métallique qui risquerait de mettre en contact ses bornes. Court-circuiter les bornes de la batterie peut provoquer des brûlures et un incendie.
19. Si la batterie est soumise à des conditions abusives, du liquide peut s'en échapper. Évitez tout contact avec ce liquide. En cas de contact accidentel, rincez à grande eau. Si du liquide entre en contact avec les yeux, consultez un médecin. Le liquide qui s'échappe de la batterie peut provoquer des irritations et des brûlures.
20. N'utilisez pas l'appareil si la batterie ou l'appareil lui-même est endommagé ou modifié. Les batteries modifiées ou endommagées peuvent produire un fonctionnement imprévisible pouvant provoquer un incendie, une explosion ou un risque de blessure.
21. N'exposez pas la batterie ou l'appareil à des flammes ou à une température excessive. L'exposition au feu ou à des températures supérieures à 130 °C peut provoquer une explosion.
22. Respectez toutes les instructions de charge et ne rechargez pas la batterie ou l'appareil quand la température ambiante est hors de la plage spécifiée dans les instructions. Une recharge incorrecte ou recharger une batterie sous des températures hors de la plage spécifiée peut endommager la batterie et accroître le risque d'incendie.
23. Faites réparer votre appareil par un réparateur qualifié qui ne devra utiliser que des pièces de rechange identiques. Cela permettra de garantir une utilisation sûre de l'appareil.
24. Cet appareil contient une batterie cellulaire non remplaçable. Ne modifiez pas et n'essayez pas de réparer l'appareil ou la batterie sauf comme indiqué dans les instructions d'utilisation et d'entretien.
25. Éteignez toujours cet appareil avant de brancher ou de débrancher l'embout motorisé.
26. Ne chargez et ne rangez pas l'appareil en plein air ou à l'intérieur d'une voiture. Chargez, stockez ou utilisez la batterie uniquement dans une zone intérieure sèche où la température est supérieure à 4 °C, mais inférieure à 40 °C. Le chargeur est conçu exclusivement pour une utilisation en intérieur.

Déclaration de conformité du fournisseur de la FCC

Tineco/SÉRIE PURE ONE S11

Cet appareil est conforme à la partie 15 des règles de la FCC. L'utilisation de l'appareil est autorisée aux deux conditions suivantes :

(1) Cet appareil ne doit pas causer d'interférences nuisibles, et (2) il doit tolérer toutes les interférences reçues, y compris celles qui peuvent provoquer un fonctionnement non désiré.

Les changements ou modifications non expressément approuvés par la partie responsable de la conformité pourraient annuler la permission d'utiliser l'équipement.

Remarque : Cet équipement a été testé et jugé conforme aux limites d'un appareil numérique de classe B, conformément à la partie 15 des règles de la FCC. Ces limites sont conçues pour fournir une protection raisonnable contre les interférences nuisibles dans une installation résidentielle. Cet équipement génère, utilise et peut émettre de l'énergie de fréquence radio et, s'il n'est pas installé et utilisé conformément aux instructions, peut causer des interférences nuisibles aux communications radio. Cependant, il n'y a aucune garantie que des interférences ne se produiront pas dans une installation particulière. Si cet équipement cause des interférences nuisibles à la réception radio ou télévision, ce qui peut être déterminé en éteignant et en allumant l'équipement, l'utilisateur est encouragé à essayer de corriger l'interférence par une ou plusieurs des mesures suivantes :

- (1) Réorienter ou déplacer l'antenne de réception.
- (2) Augmenter la distance entre l'équipement et le récepteur.
- (3) Connecter l'équipement dans une prise liée à un circuit différent de celui auquel le récepteur est connecté.
- (4) Consulter le détaillant ou un technicien radio/télé expérimenté pour obtenir de l'aide.

Déclaration de la FCC sur l'exposition aux radiations

Cet équipement est conforme aux limites d'exposition aux radiations de la FCC établies pour un environnement non contrôlé.

Remarque

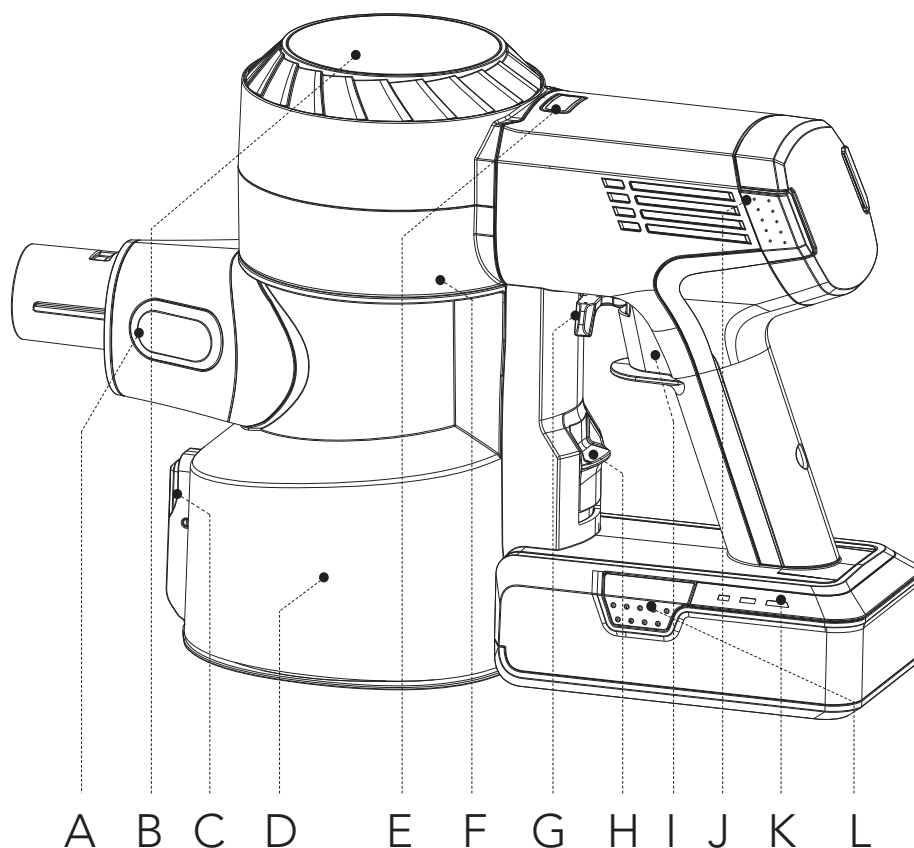
Le fabricant n'est pas responsable des interférences radio ou TV causées par des modifications non autorisées à cet équipement. De telles modifications pourraient annuler l'autorisation d'utiliser cet équipement.

Note IC

L'émetteur-récepteur exempté de licence contenu dans le présent appareil est conforme au CNR d'Innovation, Sciences et Développement économique Canada applicable aux appareils radio exemptés de licence. L'utilisation de l'appareil est autorisée aux deux conditions suivantes :

- (1) L'appareil ne doit pas produire d'interférences.
- (2) Il doit tolérer toutes les interférences reçues, y compris celles qui peuvent provoquer un fonctionnement non désiré.
 - Cet appareil numérique de classe B est conforme à la norme canadienne ICES-003.
 - Pour se conformer aux limites d'exposition aux rayonnements dans un environnement non contrôlé CNR 102, une distance d'au moins 20 cm doit être maintenue entre l'antenne de cet appareil et toute partie du corps.

Description



A. Capteur à poussières

B. Affichage numérique

C. Bouton de vidage du bac à poussières

D. Bac à poussières

E. Bouton AUTO/MAX

F. Touche de réinitialisation Wi-Fi
(Retirez le bac à poussières pour y accéder)

G. Verrou de la gâchette

H. Bouton de déverrouillage du bac à poussières

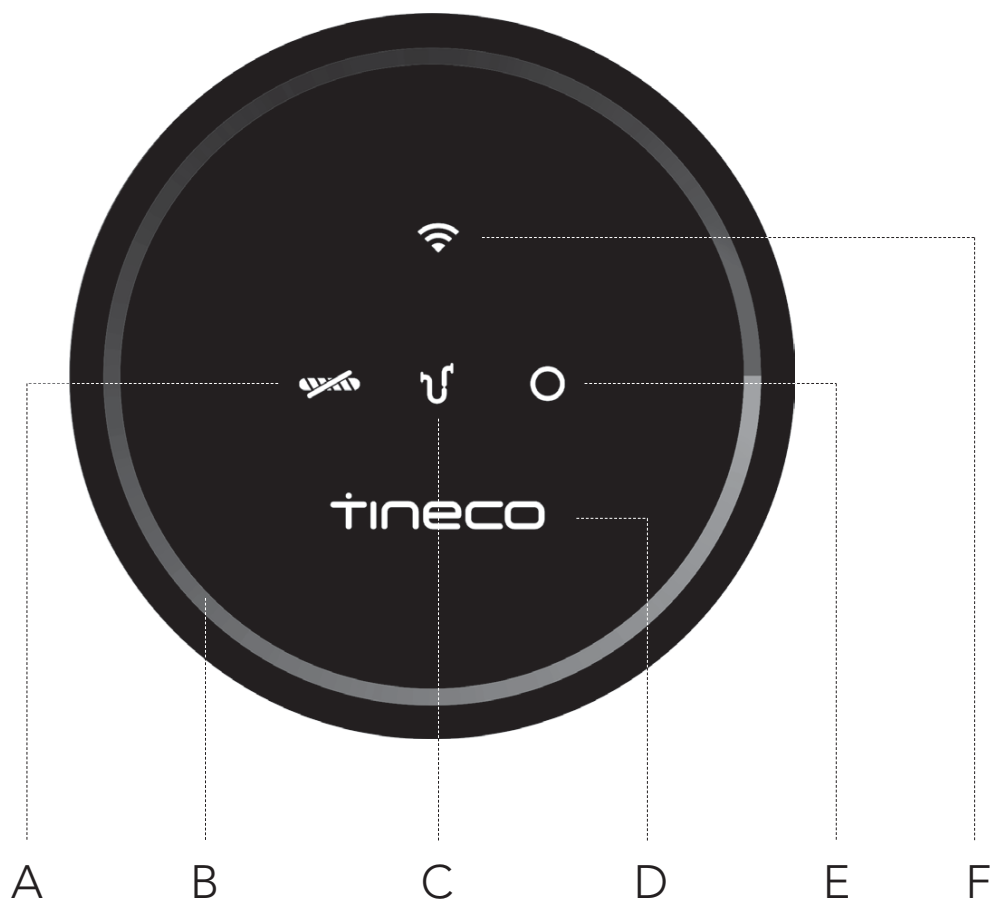
I. Gâchette

J. Bouton de déverrouillage du filtre HEPA

K. Indicateur lumineux de la batterie

L. Bouton de déverrouillage de la batterie

Affichage numérique



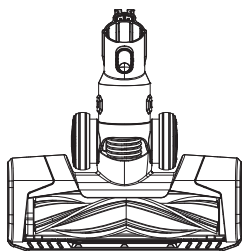
- A. Rouleau brosse emmêlé
- B. Boucle de surveillance de poussières
(De rouge à bleu selon la quantité de poussières)

- C. Conduit d'air bouché
- D. Logo Tineco
- E. Capteur à poussières défectueux
- F. Indicateur Wi-Fi

Accessoires

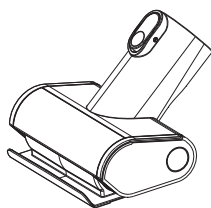
Remarque :

- Testez un accessoire sur une petite zone peu visible avant de l'utiliser sur des surfaces sensibles.
- La boîte d'emballage indique les accessoires fournis avec votre achat.
- Comme illustré ci-dessous, de nombreux composants sont compatibles avec ce modèle. Si vous avez besoin de plus d'accessoires, veuillez aller sur le site www.tineco.com ou store.tineco.com.



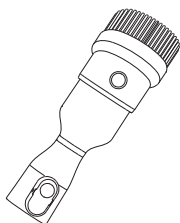
LED électro-brosse multi-tâches

Idéal pour les sols durs et les moquettes / tapis.
Très efficace pour secouer la saleté incrustée dans le tapis.



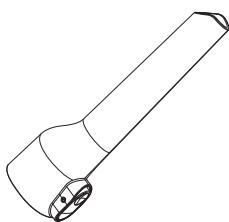
Mini brosse turbo

Pour passer l'aspirateur sur les meubles rembourrés, les matelas, etc.
Aspirer les poils d'animaux de compagnie et enlever la saleté incrustée.



Brosse combinée 2-en-1

Permet de passer d'une brosse large à une brosse douce en appuyant sur le bouton de déverrouillage. La brosse douce est plus efficace sur les meubles à surface dure et la brosse large sur les meubles rembourrés, les rideaux, etc.



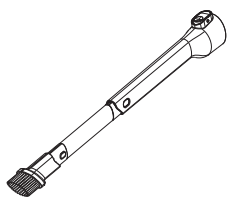
Suceur plat

Pour les coins, recoins et autres endroits difficiles d'accès tels que les sièges auto, les cadres photo et les placards.



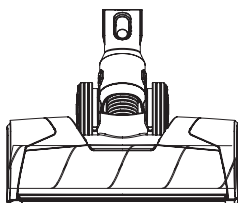
Brosse douce à poussière

Les poils inclinés sur la forme ovale mince permettent un contact antistatique et amorti. Convient pour dépoussiérer les étagères, les lampes, les surfaces délicates, les appareils électroniques, etc.



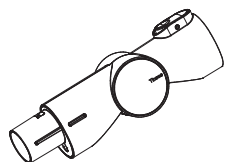
Long suceur plat flexible

Facile à plier, il facilite l'accès aux endroits étroits. Il convient au nettoyage de la poussière derrière et sous les meubles, autour des réfrigérateurs et de nombreux autres espaces étroits.



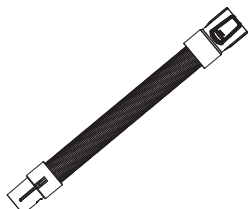
Grand rouleau brosse douce turbo LED

Parfait pour les sols durs, en particulier les sols en bois sensibles. Il permet de ramasser les saletés grossières et fines en même temps.



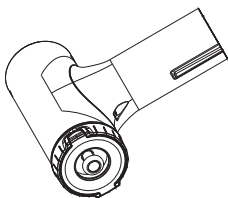
Tube flexible multi-angle

Un joint articulé permet de le régler pour plus de flexibilité lors du nettoyage de haut en bas.



Tube d'extension flexible

Excellente extension et flexibilité pour accéder aux espaces difficiles à atteindre, idéal pour une utilisation en voiture. Compatible avec tous les accessoires Tineco non motorisés.



Outil de nettoyage pour pré-filtre

Un filtre sale est l'une des principales causes de la perte d'aspiration, et cet appareil est conçu pour prolonger la durée de vie de votre filtre. Placez le filtre sale à l'intérieur de l'outil de nettoyage du pré-filtre et fermez le couvercle. Utilisez l'appareil en mode MAX et faites pivoter le capot latéral.

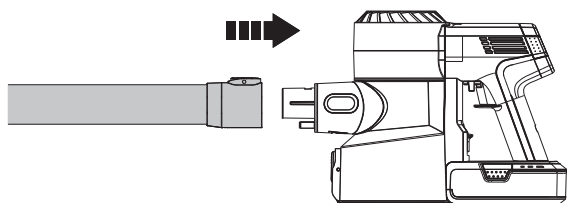


Outil de nettoyage des poils/cheveux

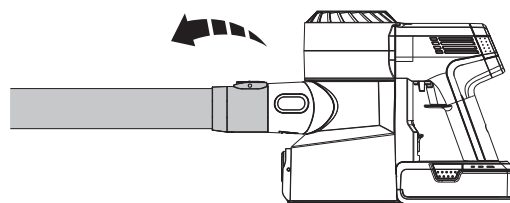
Utilisez l'extrémité munie d'une petite lame pour enlever les poils/cheveux et les débris enroulés autour du rouleau. Utilisez l'extrémité avec la brosse pour nettoyer la fenêtre de brosse et le bac à poussières, au besoin.

Assemblage

Installation du tube

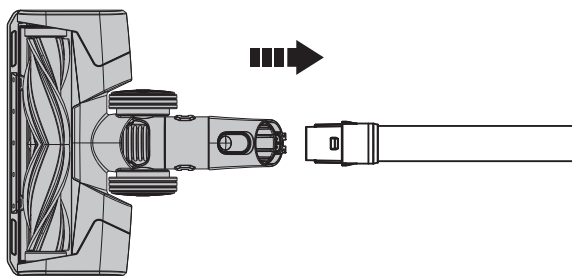


Insérez le tube.

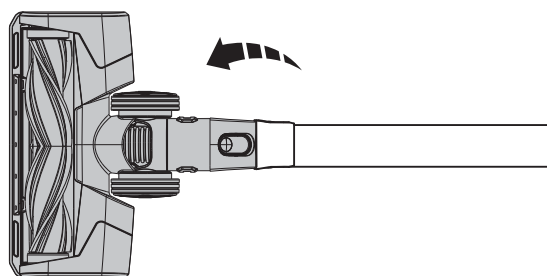


Appuyez sur le bouton de déverrouillage et retirez le tube.

Installation de la brosse

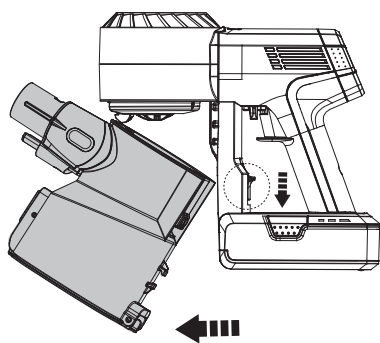


Insérez la brosse.

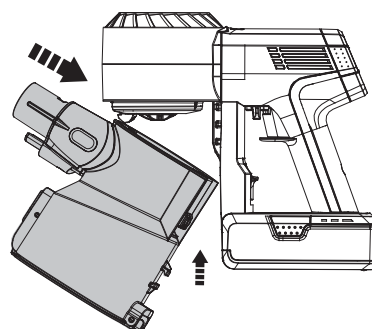


Appuyez sur le bouton de déverrouillage et retirez la brosse.

Installation du bac à poussières

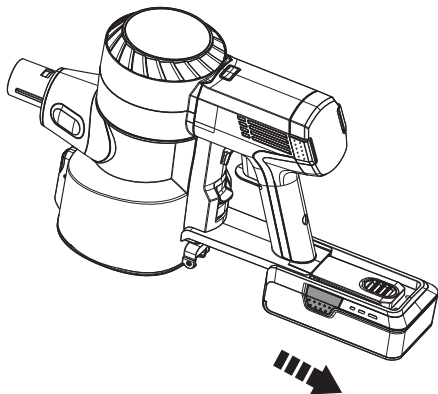


Pour nettoyer plus en profondeur le bac à poussières, appuyez sur son bouton de déverrouillage pour le détacher de l'appareil.

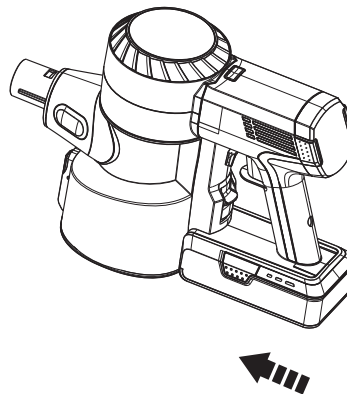


Lors de la réinstallation du bac à poussières, maintenez une certaine inclinaison et insérez le haut du bac à poussières dans le crochet du corps principal. Poussez vers le haut jusqu'à ce que le crochet soit fixé dans la fente du bac à poussières avant de s'enclencher en place.

Installation de la batterie

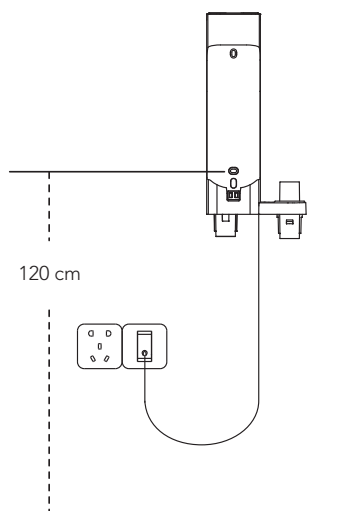


Appuyez sur le bouton de déverrouillage de la batterie, puis retirez-la.

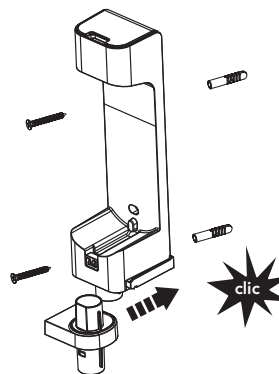


Pour la remettre en place, faites glisser la batterie dans l'emplacement au bas du boîtier principal. La batterie s'enclenchera en position une fois qu'elle sera correctement insérée.

Installation de la station d'accueil murale



Déterminez le meilleur emplacement pour fixer la station d'accueil au mur. Nous recommandons de le placer à 120 cm de la fixation inférieure au sol (il peut être nécessaire de l'ajuster en fonction de la situation réelle).



Assemblez les deux composants du support, jusqu'à entendre le « clic » indiquant un montage correct. Une fois cette étape terminée, utilisez les vis fournies par Tineco pour fixer la station d'accueil au mur.

Avertissement :

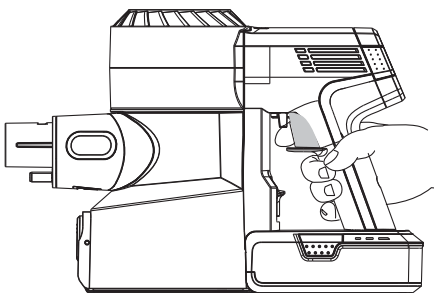
- Assurez-vous que le mur autour de la zone de montage ne comporte pas de tuyaux de gaz ou d'eau, ou de câbles ou fils électriques.
- Pour éviter que la station d'accueil ne tombe, assurez-vous qu'elle est solidement installée.

Fonctionnement

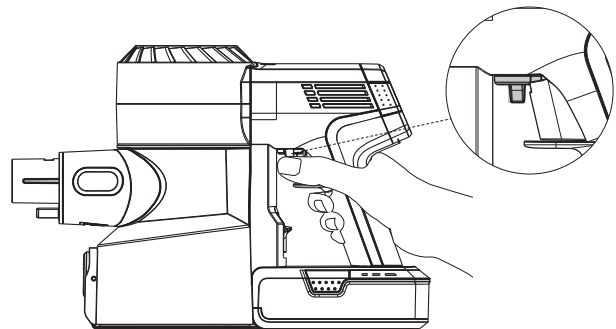
Préparation à l'utilisation

Remarque :

- Avant la première utilisation, veuillez recharger l'appareil (voir « Recharger la batterie ») pendant 3 à 4 heures dans une zone où la température ambiante est comprise entre 4 °C et 40 °C.
- Sélectionnez un accessoire et fixez-le à l'appareil avant utilisation (voir « Accessoires »).

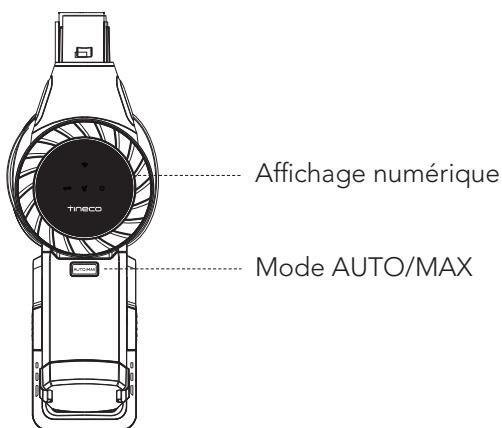


Appuyez sur la gâchette pour activer l'aspiration.



Appuyez sur le verrou de la gâchette pour la maintenir en mode d'alimentation continue.

- Éloignez les objets pointus de l'affichage numérique pour éviter les rayures et les éraflures.



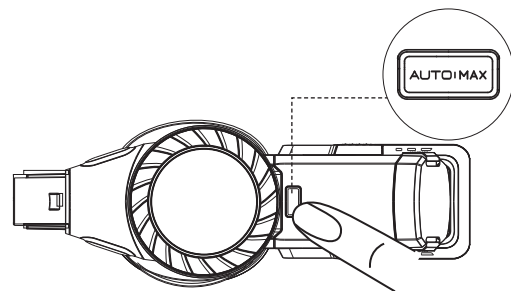
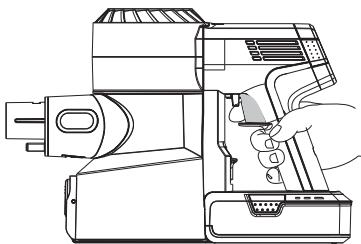
L'appareil démarre en mode AUTO par défaut. Après 3 secondes, appuyez sur le bouton AUTO/MAX pour passer en mode Max. Le bouton s'allume.

Sélection du mode de nettoyage

Mode AUTO

- En mode AUTO, la couleur de la boucle de surveillance de poussière change en fonction de la quantité de poussière détectée. Une boucle rouge de surveillance de poussière indique qu'une plus grande quantité de poussière est détectée et une boucle bleue indique qu'une moins grande quantité de poussière est détectée. Ce mode fournit automatiquement la meilleure solution de nettoyage.

Pour passer en mode AUTO :

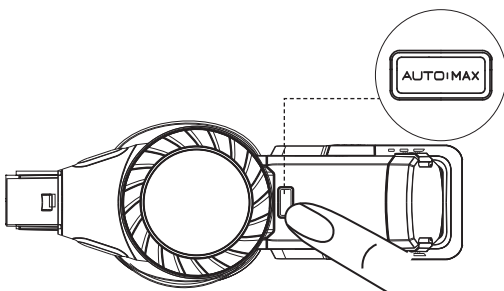


En mode MAX, appuyez sur le bouton AUTO/MAX pour entrer en mode AUTO.

FR

Le réglage par défaut au démarrage est AUTO. L'appareil met ensuite 3 secondes à détecter initialement des obstructions ou de la poussière. Si aucune poussière n'est détectée, la puissance sera réduite pour économiser l'énergie.

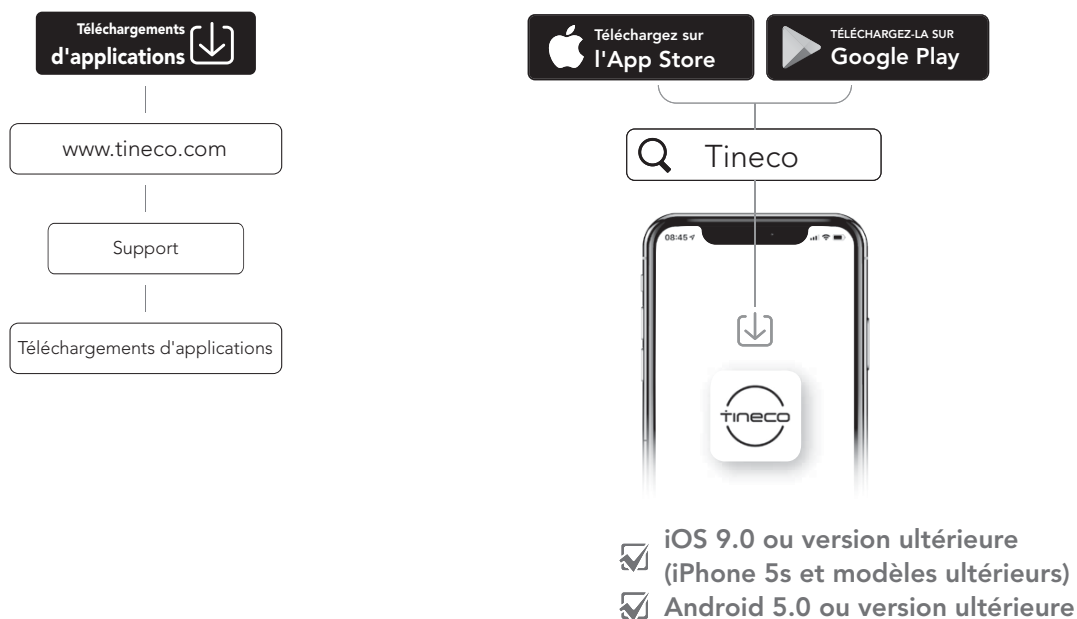
Mode MAX



En mode AUTO, appuyez sur le bouton AUTO/MAX pour passer en mode MAX. Le bouton s'allume.

Application

- Toutes les fonctions peuvent être activées à l'aide de l'application Tineco. Téléchargez l'application Tineco depuis l'App Store, Google Play et le site officiel de Tineco.



Présentation de la Fonction Application



Batterie

Niveau de la batterie en temps réel.



Rapport de nettoyage

Affiche la quantité de poussière, les heures de travail et l'état du travail.



Réglage d'aspiration

En mode manuel, faites glisser votre doigt sur l'écran du téléphone pour régler la puissance d'aspiration.



Rappel de l'état du filtre

Enregistre l'état de saleté du filtre et produit un rappel de nettoyage au besoin.



Contactez-nous

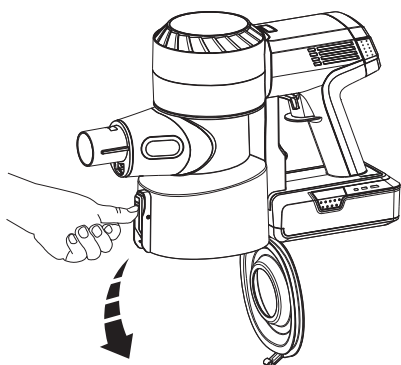
Vous pouvez contacter le service clientèle à propos de tout problème pendant les heures ouvrables.



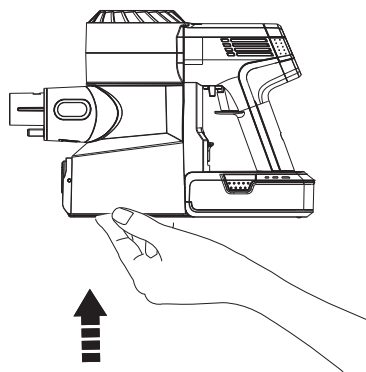
Retour d'information

Si vous avez des commentaires, n'hésitez pas à nous les envoyer.

Vidage du bac à poussières

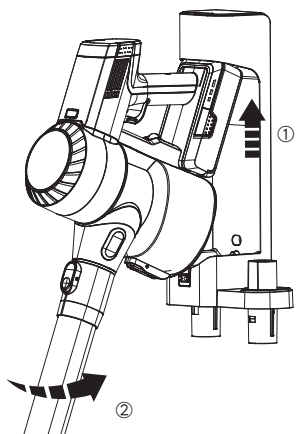


Lorsque vous avez terminé, appuyez sur le bouton de déverrouillage situé sur le côté du bac à poussières et videz le contenu.

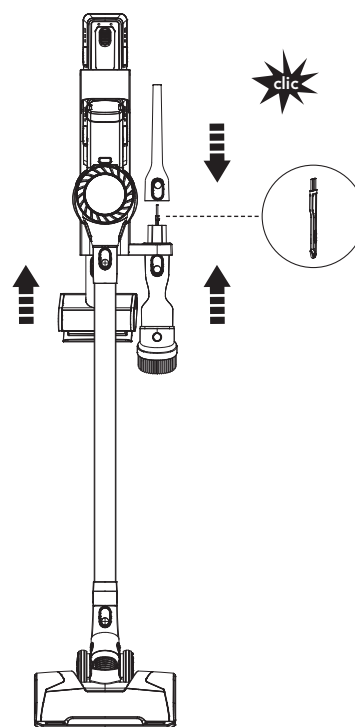


Fermez et remettez en place le volet du bac à poussières.

- Placez l'appareil sur la station murale pour un rangement et une recharge pratiques après utilisation.



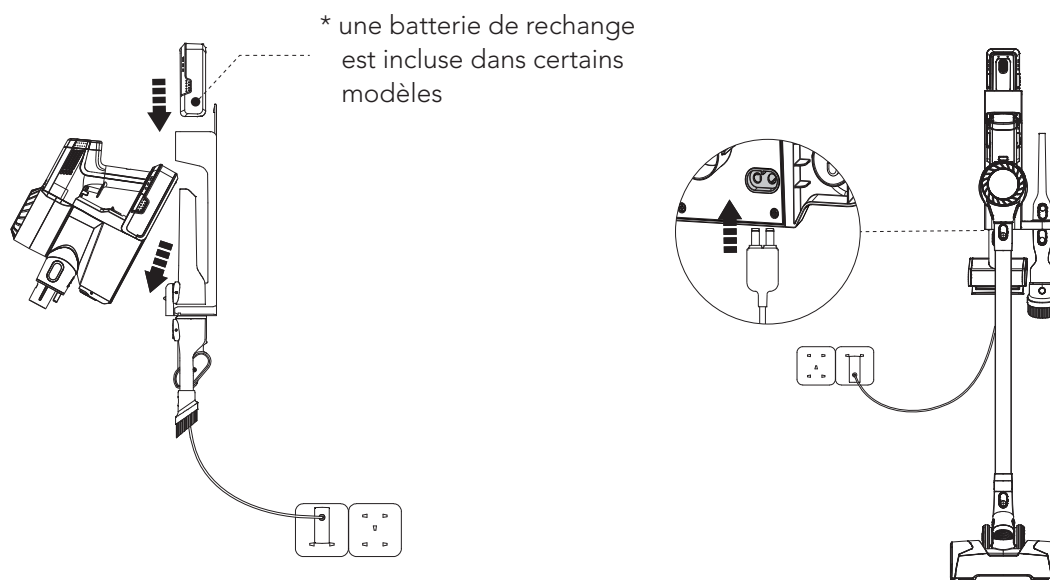
Placez le boîtier principal sur la station d'accueil.



Pour éviter d'endommager les poils, placez toujours les accessoires sur la station après utilisation.

Recharger la batterie

- Lorsqu'elle est fixée sur la station d'accueil murale, la batterie fixée au corps principal se charge en premier, suivie de la batterie de réserve.



Branchez l'adaptateur à la station murale et à une prise.

Pour charger, fixez le corps principal et/ou la batterie de rechange sur la station d'accueil. La batterie peut être rechargée lorsqu'elle est fixée au corps principal, ou séparément.

Remarque :

- Si vous avez besoin d'une batterie de rechange, veuillez l'acheter auprès de Tineco.

Avertissement :

- Utilisez uniquement l'adaptateur fourni par Tineco pour recharger la batterie.
- Pendant de longues périodes d'inutilisation, rangez la batterie au lithium dans un endroit frais et sec. Assurez-vous que la batterie est à moitié chargée tous les 3 mois (2 indicateurs de batterie s'allument).
- Entrez-la correctement dans un endroit sec. N'exposez pas l'appareil à la lumière du soleil ni au gel. Plage de température recommandée : 4 °C à 40 °C.

Autonomie

- En mode AUTO, l'autonomie est d'environ 40 minutes. Lorsque la puissance MAX est utilisée, l'autonomie est d'environ 10 minutes.
- Les données de l'autonomie estimée sont obtenues par le laboratoire Tineco avec une batterie et des accessoires non motorisés.

Durée de charge

- Il faut compter environ 3 à 4 heures pour recharger une batterie.
- Les données estimées ont été obtenues par un laboratoire Tineco à des températures ambiantes comprises entre 4 °C et 40 °C.

Indicateur

En cours d'utilisation

Indicateur de batterie



Trois voyants bleus fixes restent allumés : pleine charge.



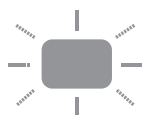
Deux voyants bleus fixes : charge moyenne.



Un voyant bleu fixe : charge faible.



Un voyant rouge fixe : batterie déchargée.



Un voyant rouge clignotant : problème, vérifiez le guide de dépannage.

Indicateur du Corps Principal



Allumé : travailler en mode MAX.



Clignotement : panne moteur.

Indicateurs à l'écran



Clignotement : le rouleau brosse est obstrué.



Clignotement : soit le filtre, soit le bac à poussières de l'appareil est obstrué.



Clignotement : le capteur à l'intérieur du bac à poussières est obstrué ou le bac n'est pas installé correctement.



Allumé : connexion Wi-Fi réussie.



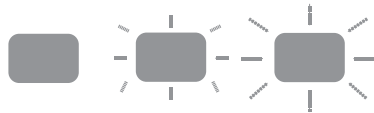
Indicateur clignotant : connexion Wi-Fi en cours.



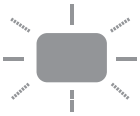
Éteint : le Wi-Fi n'est pas connecté, veuillez vous connecter.

Durant la charge

- La batterie de réserve ne se rechargera que lorsque celle fixée au corps principal aura été complètement chargée (une batterie de rechange est incluse dans certains modèles).



Trois voyants bleus clignotent successivement : recharge en cours.



Un voyant rouge clignotant : problème, vérifiez le guide de dépannage.

Chargé à 100 %



Pendant 5 minutes : trois voyants bleus fixes restent allumés.



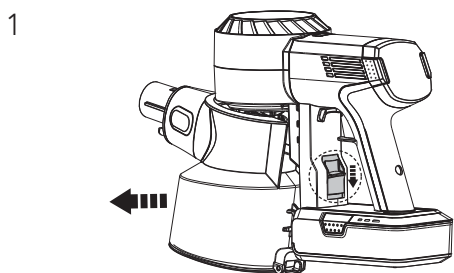
Après 5 minutes : voyants éteints.

Entretien

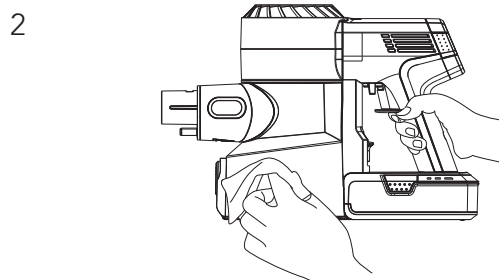
Remarque :

- Nettoyez le bac à poussières et les filtres après chaque utilisation.
- Utilisez l'outil de nettoyage pour nettoyer soigneusement le pré-filtre lorsque le voyant indique un conduit d'air bouché. Pour maintenir des performances élevées, lavez et séchez le pré-filtre tous les mois et remplacez-le tous les 6 mois.
Lavez et séchez le filtre HEPA tous les 3 mois, et remplacez-le tous les 12 mois.

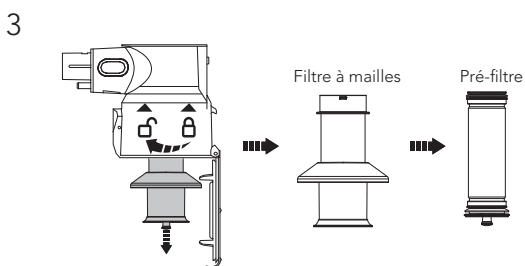
Bac à poussière et filtre à mailles



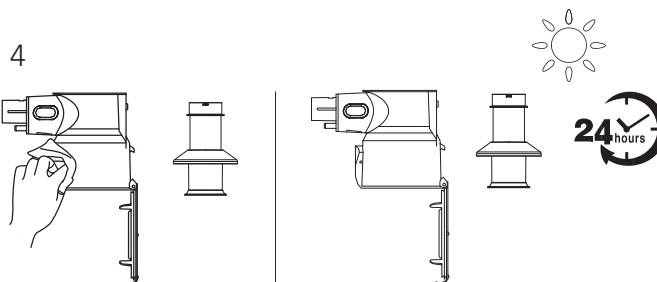
Appuyez sur le bouton de déverrouillage du bac à poussières et retirez-le.



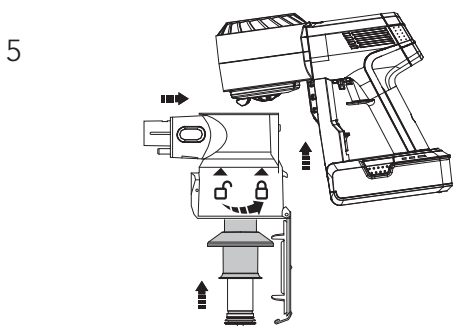
Nettoyez avec un chiffon humide, en prenant soin d'empêcher l'eau de pénétrer dans le corps principal et la batterie de l'appareil.



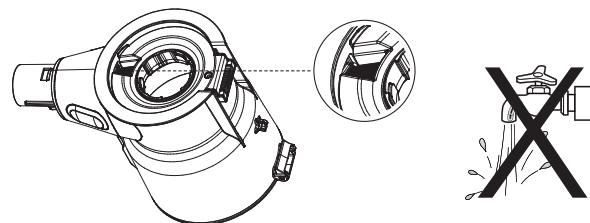
Tournez les filtres dans le sens antihoraire pour les retirer.



Nettoyez le bac à poussières et le filtre à mailles avec un chiffon humide. Séchez complètement à l'air libre avant de remettre en place.



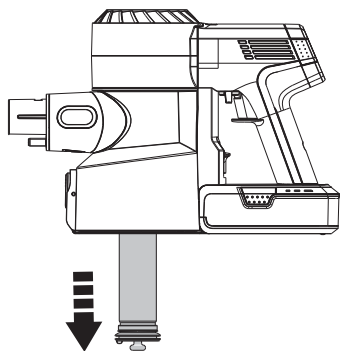
Après le nettoyage, insérez correctement le pré-filtre propre dans le filtre à mailles et il s'enclenche en place. Installez le filtre propre et le bac à poussières dans le corps principal, puis remplacez le couvercle du bac à poussières.



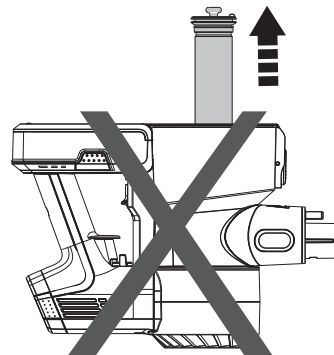
Avertissement :

- Ne lavez pas le bac à poussières, car il comporte un capteur de poussière. S'il entre en contact avec l'eau, séchez-le avec un sèche-cheveux.

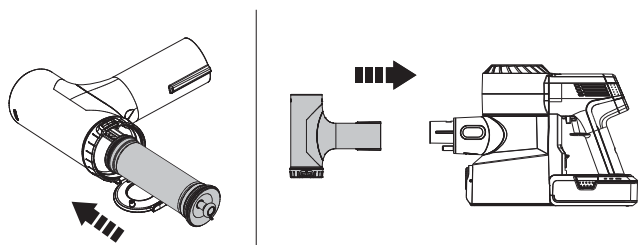
Pré-filtre



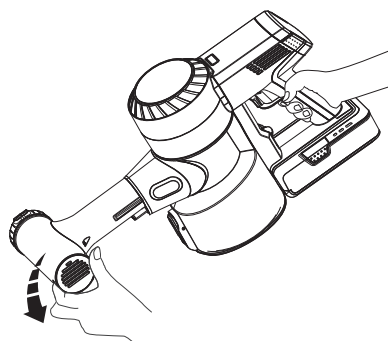
Assurez-vous que l'appareil est éteint avant de le nettoyer, et retirez le pré-filtre sale du porte-filtre à mailles.



Ne retournez pas l'appareil lors du retrait ou de l'installation du filtre pour éviter que la poussière ne pénètre dans le conduit d'air du moteur.

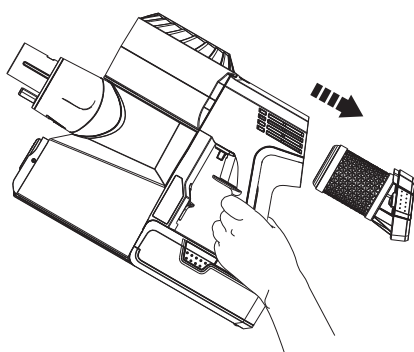


Remplacez le filtre propre dans le boîtier principal. Placez le pré-filtre encrassé dans l'outil de nettoyage et connectez-le au boîtier principal.

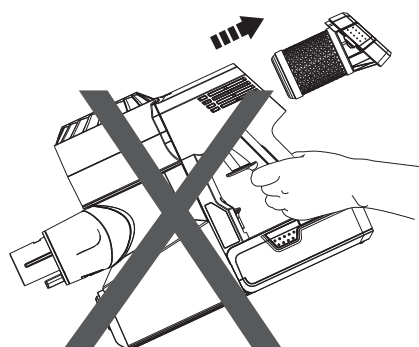


Utilisez l'appareil en mode MAX et faites pivoter le capot latéral pour nettoyer le pré-filtre encrassé.

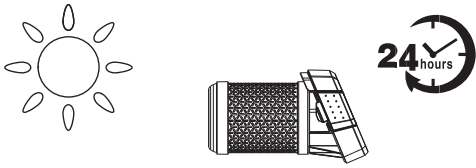
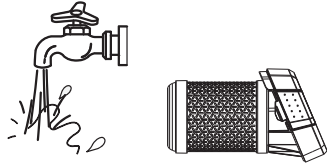
Filtre HEPA



Appuyez sur le bouton de déverrouillage HEPA et retirez-le délicatement pour le nettoyage. N'utilisez pas l'appareil sans avoir préalablement installé le filtre HEPA.

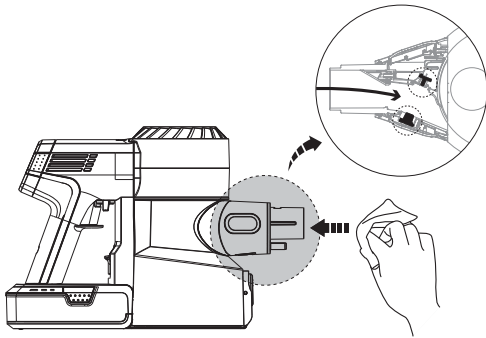


Ne placez pas l'appareil dans le sens indiqué ci-dessus lors du retrait ou de l'installation du filtre HEPA pour éviter que la poussière ne pénètre dans le conduit d'air du moteur.



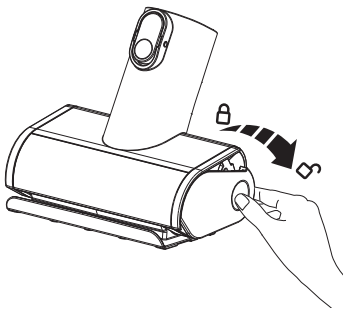
Le filtre HEPA peut être lavé à l'eau courante et doit être séché complètement avant d'être réinstallé.

Capteur à poussières

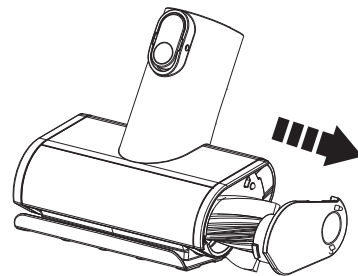


Pour éviter l'accumulation de poussière qui pourrait affecter les performances de nettoyage, essuyer la bouche d'aspiration avec un chiffon humide.

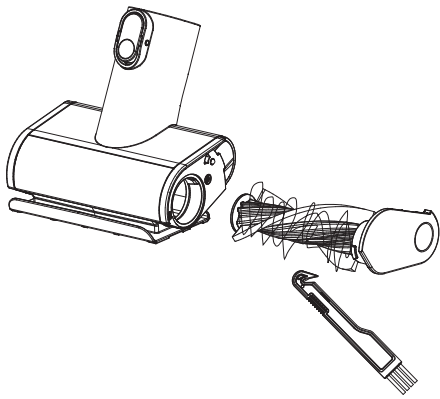
Mini brosse turbo



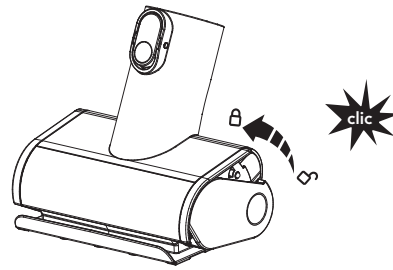
Appuyez sur le couvercle d'extrémité du rouleau vers le bas.



Retirez le rouleau brosse.



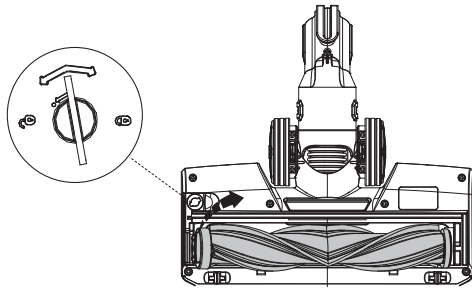
Enlevez les débris enroulés autour du rouleau avec l'outil de nettoyage des poils/cheveux Tineco.



Réinsérez complètement le rouleau brosse en l'inclinant et poussez-le vers le haut jusqu'à ce qu'il se remette fermement en place avec un clic.

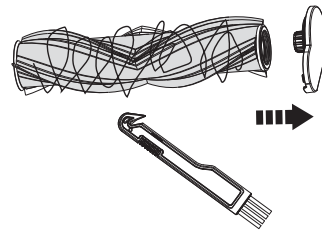
Rouleau brosse

1



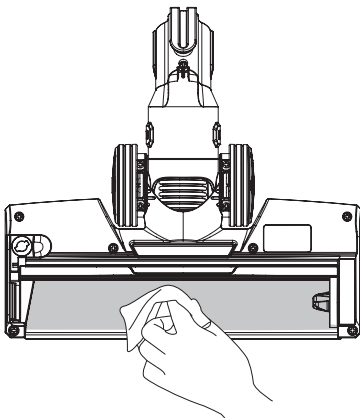
Utilisez une pièce de monnaie ou un autre outil pour déverrouiller le verrou du rouleau de la brosse, puis retirez la brosse de la fenêtre de brosse.

2



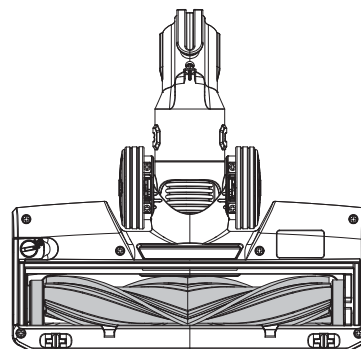
Enlevez les débris enroulés autour du rouleau avec l'outil de nettoyage des poils/cheveux Tineco.

3



Nettoyez doucement la fenêtre de brosse transparente.

4



Après le nettoyage, réinstallez la brosse.




Avertissement :

- La brosse motorisée contient des composants électriques qui ne peuvent pas être trempés ou lavés à l'eau.

Spécifications







Produit	SÉRIE PURE ONE S11
Tension	21,6 V===
Puissance d'alimentation	450 W
Capacité du bac à poussières	0,6 L
Durée de charge	3-4 heures sur une batterie
Entrée CA	100-240 V~

Élimination des déchets

- La batterie contient des matériaux nuisibles pour l'environnement, et doit donc être enlevée de l'appareil avant l'élimination de celui-ci.
- Éteignez l'appareil avant d'enlever la batterie.
- Les batteries, les chargeurs, les accessoires et l'emballage doivent faire l'objet d'un tri dans l'optique d'un recyclage écologique. Ne les jetez pas au feu, à l'eau ou dans le sol. Les chargeurs et batteries ne doivent en aucun cas être jetés avec les ordures ménagères ! 
- En cas de contact du liquide de batterie avec la peau ou les vêtements, rincez immédiatement à l'eau afin d'éviter toute irritation, et consultez un médecin.

Guide de dépannage

Problème	Cause possible	Solution
L'appareil ne s'allume pas	Pas d'alimentation	Chargez la batterie
	Protection automatique contre la surchauffe	Redémarrez après refroidissement
	L'appareil est bloqué (tel que le tube, la bouche d'aspiration ou d'autres pièces)	Vérifiez et éliminez les obstructions
Faible puissance d'aspiration	Le bac à poussières et les filtres sont remplis	Nettoyez le bac à poussières et les filtres
	Le pré-filtre n'est pas installé	Installez le pré-filtre
	L'appareil est bloqué (tel que le tube, la bouche d'aspiration ou d'autres pièces)	Éliminez les obstructions
	Le rouleau brosse est entouré de cheveux/poils ou de fibres	Nettoyez le rouleau brosse
Sons de moteur anormaux	L'appareil est bloqué (tel que le tube, la bouche d'aspiration ou d'autres pièces)	Éliminez les obstructions
La batterie ne peut pas être rechargée	L'adaptateur n'est pas correctement branché	Branchez correctement l'adaptateur
	Contact insuffisant entre le corps principal et la batterie	Vérifiez si le boîtier principal et la batterie sont correctement placés
	L'adaptateur n'est pas conçu pour PURE ONE S11	Utilisez l'adaptateur d'origine

Problème	Cause possible	Solution
Voyant clignotant quand en fonctionnement 	Le moteur dysfonctionne	Vérifier le moteur et le refroidir
Le rouleau brosse est obstrué et l'indicateur clignote 	Le rouleau brosse est bloqué	Éliminez les obstructions
Voyant de blocage du conduit d'air clignotant 	L'appareil est bloqué, le filtre ou le bac est rempli de poussières	Éliminez les obstructions, nettoyez le filtre ou le bac
Le capteur de poussière est défectueux- indicateur clignotant 	<ol style="list-style-type: none"> 1. Le capteur à l'intérieur du bac est bloqué 2. Le bac à poussières n'est pas installé 	<ol style="list-style-type: none"> 1. Nettoyez les saletés sur le capteur interne 2. Installez correctement le bac à poussières
L'indicateur Wi-Fi est éteint 	Le Wi-Fi n'est pas connecté	Suivez les étapes pour connecter l'appareil au Wi-Fi
L'indicateur de batterie clignote en rouge pendant le fonctionnement 	Problème de batterie	Retirez la batterie et laissez-la refroidir

Remarque :

Si le guide de dépannage ci-dessus ne fournit pas de solution, veuillez consulter notre site Web www.tineco.com pour plus d'aide.

Garantie

GARANTIE LIMITÉE DE 2 ANS

- S'applique uniquement aux achats effectués auprès des détaillants autorisés de Tineco.
- Est soumise au respect des exigences décrites dans ce manuel d'instructions, et est soumise à d'autres conditions décrites ci-dessous.

QU'EST-CE QUI EST COUVERT ?

- Votre appareil Tineco bénéficie d'une garantie de 2 ans contre les défauts d'origine du matériel et de la fabrication, lorsqu'il est utilisé à des fins domestiques conformément au manuel d'utilisation de Tineco. Les accessoires motorisés et la batterie achetés séparément sont livrés avec une garantie de 1 an.
- Cette garantie fournit, sans frais supplémentaires, toute la main-d'œuvre et les pièces nécessaires pour assurer que votre appareil est en bon état de fonctionnement pendant la période de garantie.
- Cette garantie n'est valable que pour l'utilisation dans le pays où l'appareil a été vendu.

QU'EST-CE QUI N'EST PAS COUVERT ?

Tineco ne sera pas responsable des coûts, dommages ou réparations résultant de ce qui suit :

- Appareils achetés auprès d'un revendeur non autorisé.
- Manipulation ou fonctionnement négligent, mauvaise utilisation, abus et/ou manque d'entretien ou utilisation non conforme au manuel d'utilisation Tineco.
- Utilisation de l'appareil autre que pour des usages domestiques normaux, c'est-à-dire, à des fins commerciales ou de location.
- Utilisation de pièces non conformes au manuel d'utilisation Tineco.
- Utilisation de pièces et d'accessoires autres que ceux produits ou recommandés par Tineco.
- Facteurs externes non liés à la qualité et à l'utilisation du produit, tels que la météo, les modifications, les accidents, les pannes électriques, les surtensions ou les catastrophes naturelles.
- Réparations ou modifications effectuées par des parties ou des agents non autorisés.
- Absence de nettoyage des obstructions et autres matières dangereuses de l'appareil.
- Usure normale, y compris l'usure normale des pièces, telles que la poubelle, la ceinture, le filtre, le filtre HEPA, la barre de brosse, le cordon d'alimentation (ou lorsqu'un dommage externe ou un abus est diagnostiqué), les tapis ou planchers endommagés en raison d'une utilisation non conforme aux instructions du fabricant.
- Réduction du temps de décharge de la batterie en raison du vieillissement ou de l'usure de la batterie.

LIMITATIONS DE GARANTIE

- Toute garantie implicite relative à votre appareil, y compris, mais sans s'y limiter, la garantie de qualité marchande ou la garantie d'adéquation à un usage particulier, est limitée à la durée de cette garantie.
 - La couverture de la garantie s'applique uniquement au propriétaire d'origine et à la batterie d'origine et n'est pas transférable.
 - Cette garantie limitée vous donne des droits légaux spécifiques. Vous pouvez également avoir d'autres droits qui varient selon les régions.
 - Les garanties du fabricant peuvent ne pas s'appliquer dans tous les cas, en fonction de facteurs tels que l'utilisation du produit, l'endroit où le produit a été acheté ou la personne à qui vous avez acheté le produit.
- Veillez lire attentivement la garantie et contactez le fabricant si vous avez des questions.

SERVICE DE GARANTIE

Enregistrement : Nous recommandons vivement d'enregistrer votre appareil sur le site officiel de Tineco (www.tineco.com). L'enregistrement vous permettra de bénéficier d'avantages exclusifs. Pour vous enregistrer, veuillez saisir les 11 derniers chiffres du numéro de série (enlevez le bac à poussières figurant au dos de l'appareil).

Le fait de ne pas enregistrer votre appareil ne diminuera pas vos droits de garantie.



Comment faire une réclamation : Veuillez conserver votre preuve d'achat. Pour faire une réclamation dans le cadre de notre garantie limitée, vous devez fournir votre numéro de série et le reçu d'achat original avec la date d'achat et le numéro de commande.

Tous les travaux seront effectués par Tineco ou un agent agréé.

Toute pièce défectueuse remplacée deviendra la propriété de Tineco.

Le service sous cette garantie ne prolongera pas la période de garantie.

Contactez notre service après-vente au
1-855-292-8864
ou visitez le site Web de Tineco à l'adresse
www.tineco.com
pour profiter de l'expertise du service
après-vente.

tineco
Live Easy.
Enjoy Life.



tinecoglobal





Contact us - We'll get back to you within 1 business day.

Conéctese con nosotros. Nos pondremos en contacto con usted dentro de 1 día laboral.

Contactez-nous. Nous vous répondrons dans 1 jour ouvrable.

 www.tineco.com

 1-855-292-8864

 Mon. - Fri. 9am - 6pm (CST)