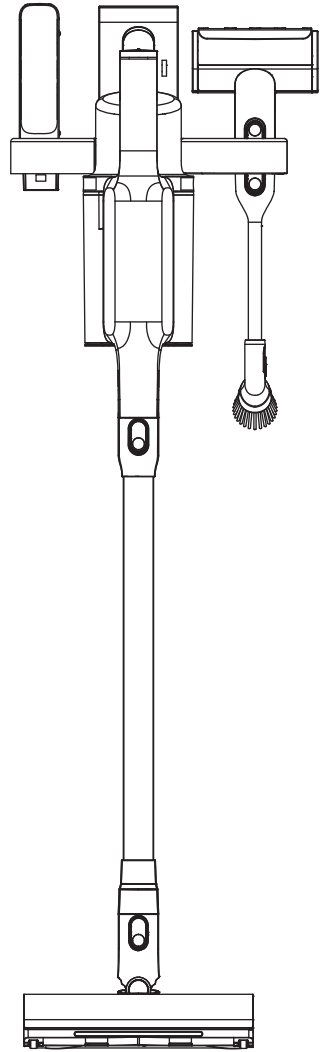




A20 / Tineco Go Series
A30S / Tineco Go Pet Series
Stick Vacuum Cleaner

Instruction Manual
Manual De Uso
Mode D'emploi



*Actual product may differ from illustration.

TINECO IS HERE TO HELP.

We'll get back to you within 24 hours.



 www.tineco.com

 1-855-292-8864

CONTENTS

Important Safety Instructions.....	2
Specifications.....	5
Troubleshooting.....	6
Warranty.....	7
Assembly.....	26
Settings.....	27
Battery Indicators.....	28
Charging Options.....	29
Maintenance.....	30

TINECO IS HERE TO HELP.

We'll get back to you within 24 hours.



www.tineco.com



1-855-292-8864

Important Safety Instructions

When using an electrical appliance, basic precautions should always be followed, including the following:

READ ALL INSTRUCTIONS BEFORE USING (THIS APPLIANCE). Failure to follow the warnings and instructions may result in electric shock, fire and/or serious injury.

WARNING – To reduce the risk of fire, electric shock, or injury:

1. This appliance can be used by children aged from 8 years and above and persons with reduced physical, sensory or mental capabilities or lack of experience and knowledge if they have been given supervision or instruction concerning use of the appliance in a safe way and understand the hazards involved. Children should not play with the appliance. Cleaning and user maintenance shall not be performed by children without supervision.
2. The appliance is not to be used by persons (including children) with reduced physical, sensory or mental capabilities, or lack of experience and knowledge, unless they have been given supervision or instruction.
3. For **INDOOR** use **ONLY**. Do not use the appliance in outdoors, nor in commercial or industrial environments. Do not use the appliance on wet surfaces or surfaces with standing water.
4. Do not allow to be used as a toy. Close attention is necessary when used by or near children, pets or plants.
5. Use only as described in this manual. Use only manufacturer's recommended attachments.
6. Do not use with a damaged cord or plug. If appliance has been dropped, damaged, left outdoors, dropped into water, or is not working as it should, return it to a service center.
7. Do not handle charger, including charger plug, and charger terminals with wet hands.
8. Do not block openings. Stop use if openings become blocked. Clean and remove any blocked objects according to the manual instructions.
9. Keep hair, loose clothing, fingers, and all parts of your body away from openings and moving parts.
10. Use extra care when cleaning on stairs.
11. Do not use to pick up flammable or combustible liquids, such as gasoline, or use in areas where they may be present.
12. Do not pick up anything that is burning or smoking, such as cigarettes, matches, or hot ashes.
13. Do not use without dust container and filter.
14. Prevent unintentional activation. Ensure the switch is in the off position before charging, picking up or carrying the appliance. Carrying the appliance with your finger on the switch or powering on the appliance with the switch on may cause accidents.
15. For the purposes of recharging the battery, only use the detachable supply unit provided with this appliance. A charger that is suitable for one type of battery pack may create a risk of fire when used with another battery pack.
16. Disconnect the battery pack from the appliance before making any adjustments, changing accessories, or storing appliance. Such preventive safety measures reduce the risk of starting the appliance accidentally.

17. Under improper usage, liquid may be ejected from the battery; avoid contact. If contact accidentally occurs, flush with water. If liquid comes into eye contact, seek medical help. Liquid ejected from the battery may cause irritation or burns.
18. Do not use the appliance that is damaged or modified. Damaged or modified batteries may exhibit unpredictable behavior resulting in fire, explosion or risk of injury.
19. Do not expose the appliance to fire or excessive heat. Exposure to fire or temperatures above 266°F (130°C) may cause an explosion.
20. Follow all charging instructions and do not charge the appliance outside of the temperature range specified in the instructions. Charging improperly or at temperatures outside of the specified range may damage the battery and increase the risk of fire.
21. Have servicing performed by a qualified repair person using only identical replacement parts. This will ensure that the safety of the product is maintained.
22. This appliance contains battery cells that are non-replaceable. Do not modify or attempt to repair the appliance or the battery pack except as indicated in the instructions for use and care.
23. Always turn off this appliance before connecting or disconnecting the motorized nozzle.
24. Do not charge or store the appliance outdoors or inside a car. Only charge, store or use the appliance in a dry indoor area where the temperature is higher than 39.2°F (4°C) but lower than 104°F (40°C). The charger is for indoor use only.
25. Use appliances only with specifically designated battery packs. Use of any other battery packs may create a risk of injury and fire.
26. When battery pack is not in use, keep it away from other metal objects, like paper clips, coins, keys, nails, screws or other small metal objects, that can make a connection from one terminal to another. Shorting the battery terminals together may cause burns or a fire.

SAVE THESE INSTRUCTIONS

For Both FCC & IC application:



This device complies with Part 15 of the FCC Rules / Industry Canada licence-exempt RSS standard(s). Operation is subject to the following two conditions: (1) this device may not cause harmful interference, and (2) this device must accept any interference received, including interference that may cause undesired operation.

Changes or modifications not expressly approved by the party responsible for compliance could void the user's authority to operate the equipment.


This equipment has been tested and found to comply with the limits for a Class B digital device, pursuant to part 15 of the FCC Rules. These limits are designed to provide reasonable protection against harmful interference in a residential installation. This equipment generates uses and can radiate radio frequency energy and, if not installed and used in accordance with the instructions, may cause harmful interference to radio communications. However, there is no guarantee that interference will not occur in a particular installation. If this equipment does cause harmful interference to radio or television reception, which can be determined by turning the equipment off and on, the user is encouraged to try to correct the interference by one or more of the following measures:

- Reorient or relocate the receiving antenna.
- Increase the separation between the equipment and receiver.
- Connect the equipment into an outlet on a circuit different from that to which the receiver is connected.
- Consult the dealer or an experienced radio/TV technician for help.

Specifications

Product Name	A20 / Tineco Go Series
Voltage	21.6V 
Rated Power	300W
Dust Bin Capacity	1L
AC Input	100-240V~
Product Name	
Product Name	A30S / Tineco Go Pet Series
Voltage	25.2V 
Rated Power	500W
Dust Bin Capacity	1L
AC Input	100-240V~

Disposal

- The battery contains materials that are harmful to the environment and must be removed from the appliance before it is discarded.
- When removing the battery, the appliance must be powered off.
- Batteries, chargers, accessories and packaging should be sorted for environmental friendly recycling. Do not put them into fire, water or soil. Do not dispose of batteries and chargers into household waste! 
- If battery leakage contacts skin or clothing, immediately flush with water to avoid irritation and seek medical help.

Troubleshooting

Problem	Possible cause	Solution
The appliance does not turn on	No power	Charge the battery
	The suction mouth is blocked	Check and remove blockages
	The battery is still connected to the adapter	Disconnect the battery from the adapter
Weak suction power	Dust bin and filters are full	Clean the dust bin and filters
	Parts assembly is not in position	Check all the parts and put them in position
	The appliance is blocked (i.e. the tube, suction mouth or some other parts)	Remove blockages
Abnormal motor sounds	The appliance is blocked (i.e. the tube, suction mouth or some other parts)	Remove blockages
Battery won't charge	The adapter is not inserted in position	Remove the adapter and reinsert correctly
	The adapter is not correct	Check the adapter and change to use correct adapter
Rapid blinking red light on battery	The appliance is blocked or the brush roller tangled with hairs or fibers	Stop the appliance, remove blockages or clean the brush roller
	The battery is overheated	Let the battery cool
	The adapter is not designed for this appliance	Use the original adapter
Slow blinking red light on battery	The battery is out of power	Charge the battery

Note:

If the above troubleshooting guide fails to provide a solution, please visit our website www.tineco.com for further support.

Warranty

2-YEAR LIMITED WARRANTY

- Only applies to purchases made from authorized retailers of Tineco.
- Is subject to the adherence of the requirements outlined in this instruction manual, and is subject to further conditions outlined below.
- This warranty is governed by and construed under the laws of the country in which the purchase took place. We provide 2-year warranty or a warranty period as stipulated by applicable local law, whichever is longer.

WHAT IS COVERED?

- Your Tineco appliance has a 2-year warranty against original defects in material and workmanship, when used for private household purposes in accordance with the Tineco Instruction Manual. Motorized accessories bought separately come with a 1-year warranty.
- This warranty provides, at no extra cost to you, all labor and parts necessary to ensure your appliance is in proper operating condition during the warranty period.
- This warranty will only be valid if the appliance is used in the country in which it was sold.

WHAT IS NOT COVERED?

Tineco shall not be liable for costs, damages or repairs incurred as a result of:

- Appliances purchased from an unauthorized dealer.
- Careless operation or handling, misuse, abuse and/or lack of maintenance or use not in accordance with the Tineco Instruction Manual.
- Use of the appliance other than for normal domestic purposes, e.g. for commercial or rental purposes.
- Use of parts not in accordance with the Tineco Instruction Manual.
- Use of parts and accessories other than those produced or recommended by Tineco.
- External factors unrelated to product quality and use, such as weather, modifications, accidents, electrical outages, power surges or acts of God.
- Repairs or alterations carried out by unauthorized parties or agents.
- Failing to clear blockage and other hazardous material from the appliance.
- Normal wear and tear, including normal wearing parts, such as clear bin, belt, filter, HEPA, brush bar, and power cord (or where external damage or abuse is diagnosed), carpet or floor damage due to use not in accordance with manufacturer's instructions or failure to turn the brush bar off when necessary.
- Reduction in battery discharge time due to battery age or use.

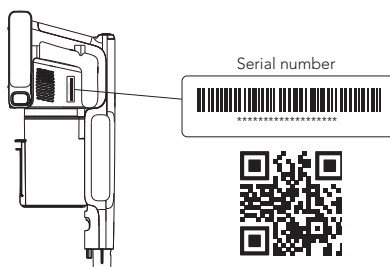
WARRANTY LIMITATIONS

- Any implied warranties relating to your appliance including but not limited to warranty of merchantability or warranty of fitness for a particular purpose, are limited to the duration of this warranty.
- Warranty coverage applies to the original owner and to the original battery only and is not transferable.
- This limited warranty gives you specific legal rights. You may also have other rights which vary by region.
- Manufacturer's warranties may not apply in all cases, depending on factors such as use of the product, where the product was purchased, or who you purchased the product from.
Please review the warranty carefully, and contact the manufacturer if you have any questions.

WARRANTY SERVICE

Register: We highly recommend that upon purchase, you register your appliance by logging into our official website (www.tineco.com) or scanning the QR code (see right) to enjoy more exclusive benefits. To register, please enter the whole serial number (remove the dust bin to find the serial number).

Failure to register your product won't diminish your warranty rights.



How to Claim: Please retain your proof of purchase. To make a claim under our Limited Warranty, you need to provide your serial number and the original purchase receipt with the purchase date and order number on it.

All work will be carried out by Tineco or an authorized agent.

Any replaced defective parts will become the property of Tineco.

Service under this warranty will not extend the period of this warranty.

Contact our Customer Service
Hotline: **1-855-292-8864**
or Visit Tineco website
www.tineco.com
for expert customer service.

CONTENIDO

Medidas importantes de seguridad	10
Especificaciones.....	13
Resolución de problemas	14
Garantía	15
Montaje	26
Ajustes	27
Indicadores de batería	28
Opciones de carga	29
Mantenimiento	30

TINECO ESTÁ AQUÍ PARA AYUDAR.

Nos pondremos en contacto dentro de 24 horas.



www.tineco.com



1-855-292-8864

Medidas importantes de seguridad

Al usar aparatos eléctricos, se debe seguir siempre una serie de medidas básicas de seguridad, entre ellas las que se indican a continuación.

LEA TODAS LAS INSTRUCCIONES ANTES DE USAR ESTE APARATO. De no seguir todas las advertencias e instrucciones, se podrían producir descargas eléctricas, incendios o lesiones personales graves.

ADVERTENCIA

– Para disminuir el riesgo de incendios, descargas eléctricas o lesiones:

1. Este aparato puede ser utilizado por niños a partir de 8 años y personas con discapacidades físicas, sensoriales o mentales, o con falta de experiencia y conocimientos, si están supervisados o han recibido instrucciones sobre el uso del aparato de modo seguro y comprenden los peligros que dicho uso acarrea. Los niños no deben jugar con el aparato. La limpieza y mantenimiento a cargo del usuario no deben ser realizados por niños sin supervisión.
2. El aparato no debe ser utilizado por personas (niños incluidos) con discapacidades físicas, sensoriales o mentales, o con falta de experiencia y conocimientos, a menos que lo hagan bajo supervisión o se les haya dado instrucciones.
3. SOLO para uso en INTERIORES. No use el aparato en el exterior, ni en entornos comerciales o industriales. No use el aparato sobre superficies húmedas o que tengan agua.
4. No permita que se utilice el aparato como un juguete. Es necesario vigilar atentamente el aparato cuando lo usen niños o se utilice cerca de niños, mascotas o plantas.
5. Use el aparato solo como se indica en este manual. Use solo accesorios recomendados por el fabricante.
6. No use el aparato si el cable o el enchufe están dañados. Si el aparato se ha caído o dañado, se ha dejado a la intemperie, ha caído al agua o no funciona como debiera, llévelo a un centro de servicio.
7. No manipule el cargador, incluido el enchufe del cargador, ni los terminales del cargador con las manos mojadas.
8. No obstruya las aberturas. Deje de utilizarlo si estas quedaran obstruidas. Limpie y retire los objetos obstruidos siguiendo las instrucciones del manual.
9. Mantenga el pelo, la ropa holgada, los dedos y todas las partes del cuerpo alejados de las aberturas y partes móviles.
10. Tenga mucho cuidado al limpiar escaleras.
11. No aspire líquidos inflamables o combustibles, tales como gasolina, ni lo use en lugares donde pudieran estar presentes.
12. No aspire nada que se esté quemando o humeando como, por ejemplo, cigarrillos, cerillas o cenizas.
13. No use el aparato sin el depósito de polvo y el filtro.
14. Evite puestas en marcha accidentales. Verifique que el interruptor está en posición de apagado antes de cargar el aparato, levantarlo o transportarlo. Llevar el aparato con el dedo en el interruptor o activar el aparato con el interruptor en posición de encendido puede originar accidentes.

15. Para cargar la batería, use únicamente la unidad de suministro extraíble incluida con este aparato. Un cargador apto para un tipo de batería podría presentar un riesgo de incendio si se usa con otra batería.
16. Desconecte la batería del aparato antes de realizar ajustes, cambiar accesorios o almacenarlo. Tales medidas preventivas disminuyen el riesgo de poner el aparato en funcionamiento por accidente.
17. Si se hace un uso inadecuado de la batería, el líquido de su interior podría salirse. Evite el contacto con ese líquido. Si hubiera un contacto accidental, lávese con agua abundante. Si el líquido entra en contacto con los ojos, solicite ayuda médica. El líquido que sale de la batería puede causar irritación o quemaduras.
18. No use el aparato si estuviera dañado o manipulado. Las baterías dañadas o modificadas pueden presentar comportamientos impredecibles y causar un incendio, explosión o riesgo de lesiones personales.
19. No exponga el aparato al fuego o al calor excesivo. Su exposición al fuego o a temperaturas superiores a 130 °C puede causar una explosión.
20. Siga todas las instrucciones de carga y no cargue el aparato a temperaturas fuera del rango especificado en las instrucciones. Una carga incorrecta o a una temperatura fuera del rango especificado puede dañar la batería y aumentar el riesgo de que se produzca un incendio.
21. Las reparaciones deben ser realizadas por personal cualificado que utilice únicamente piezas de repuesto idénticas a las originales. Esto garantizará que la seguridad del producto se mantenga.
22. Este aparato contiene células de batería no reemplazables. No modifique ni trate de reparar el aparato ni la batería, a excepción de lo indicado en las instrucciones para su uso y cuidados.
23. Apague siempre el aparato antes de conectar o desconectar la boquilla motorizada.
24. No cargue ni guarde el aparato a la intemperie ni dentro de un vehículo. Cargue, guarde o use el aparato únicamente en interiores secos donde la temperatura sea superior a 4 °C, pero inferior a 40 °C. El cargador solo es apto para usarse en interiores.
25. Use los aparatos solo con las baterías especialmente indicadas para ellos. El uso de cualquier otro tipo de batería puede presentar riesgos de incendio y lesiones personales.
26. Cuando no esté usando la batería, manténgala alejada de objetos metálicos, tales como clips, monedas, llaves, clavos, tornillos y otros objetos metálicos pequeños que pudieran conectar un terminal con el otro. Cortocircuitar los terminales de la batería puede causar quemaduras o un incendio.

CONSERVE ESTAS INSTRUCCIONES

Para las aplicaciones FCC e IC:

Este dispositivo cumple la sección 15 de las normas de la FCC/normas RSS exentas de licencia de Industry Canada. Su funcionamiento está sujeto a las dos condiciones siguientes: (1) el dispositivo no puede causar interferencias perjudiciales; y (2) el dispositivo debe aceptar cualquier interferencia recibida, incluidas las que puedan dar lugar a un funcionamiento no deseado.

Los cambios o modificaciones no aprobados expresamente por la parte responsable del cumplimiento pueden anular la autoridad del usuario para utilizar el equipo.

Este equipo se ha sometido a pruebas y se ha determinado que cumple los límites establecidos para los dispositivos digitales de clase B de acuerdo con las disposiciones de la sección 15 de la normativa de la FCC. Estos límites están diseñados para proporcionar una protección razonable contra interferencias perjudiciales en una instalación residencial. Este equipo genera, utiliza y puede irradiar energía de radiofrecuencia, por lo que si no se instala y se usa como se indica en estas instrucciones, podría producir interferencias perjudiciales en las comunicaciones por radio. Sin embargo, no se puede garantizar que no se produzcan interferencias en una instalación en particular. Si este equipo causa interferencias perjudiciales en la recepción de señales de radio o televisión (que se pueden detectar apagando y encendiendo el dispositivo), recomendamos al usuario que intente corregir dichas interferencias siguiendo una o varias de las siguientes soluciones:

- Cambie la orientación o la ubicación de la antena receptora.
- Aumente la distancia entre el equipo y el receptor.
- Conecte el equipo a una salida en un circuito diferente al que esté conectado el receptor.
- Consulte al vendedor o a un técnico experto en radio y televisión para obtener ayuda.

Especificaciones

Nombre del producto	A20 / Serie Tineco Go
Tensión	21,6 V \equiv
Potencia nominal	300 W
Capacidad del depósito de polvo	1 l
Entrada CA	100-240 V~
 	
Nombre del producto	A30S / Serie Tineco Go Pet
Tensión	25,2 V \equiv
Potencia nominal	500 W
Capacidad del depósito de polvo	1 l
Entrada CA	100-240 V~

Eliminación

- La batería contiene materiales dañinos para el medio ambiente y deben retirarse del aparato antes de desecharlo.
- Al retirar la batería, el aparato debe estar apagado.
- Las baterías, los cargadores, los accesorios y el embalaje deben clasificarse para reciclarlos de un modo respetuoso con el medio ambiente. No los arroje al fuego, al agua ni los entierre. No deseche las baterías ni los cargadores junto con la basura doméstica. ~~X~~
- Si la batería presenta fugas y el líquido entra en contacto con la piel o la ropa, enjuáguelos inmediatamente con agua para evitar irritaciones y consulte con un médico.

Resolución de problemas

Problema	Posible causa	Solución
El aparato no se enciende	No tiene suministro eléctrico	Cargue la batería
	La boca de succión está bloqueada	Examínelo y retire las obstrucciones
	La batería sigue conectada al adaptador	Desconecte la batería del adaptador
Potencia de succión débil	El depósito de polvo y los filtros están llenos	Limpie el depósito de polvo y los filtros
	El conjunto de piezas no está en posición	Compruebe todas las piezas y colóquelas en su sitio
	El aparato está obstruido (es decir, el tubo, la boca de succión o cualquier otra pieza)	Retire las obstrucciones
Sonidos anómalos del motor	El aparato está obstruido (es decir, el tubo, la boca de succión o cualquier otra pieza)	Retire las obstrucciones
La batería no se carga	El adaptador no está bien insertado	Retire el adaptador y vuelva a insertarlo correctamente
	El adaptador no es correcto	Compruebe el adaptador y cámbielo por el adaptador correcto
Parpadeo rápido de la luz roja de la batería	El aparato está obstruido o el cepillo de rodillo está enredado con pelo o fibras	Detenga el aparato, retire las obstrucciones o limpie el cepillo de rodillo
	La batería se ha sobrecalentado	Deje que la batería se enfríe
	El adaptador no está diseñado para el aparato	Use el adaptador original
Una luz roja parpadea lentamente en la batería	La batería no tiene potencia	Cargue la batería

Nota:

Si la guía de resolución de problemas no incluye una solución, visite nuestro sitio web www.tineco.com para recibir más ayuda.

Garantía

GARANTÍA LIMITADA DE 2 AÑOS

- Solo se aplica a las compras realizadas a minoristas autorizados de Tineco.
- Está sujeta al cumplimiento de los requisitos descritos en este manual de instrucciones y otras condiciones descritas a continuación.
- Esta garantía se rige e interpreta según las leyes del país en el que se realizó la compra. Ofrecemos una garantía de 2 años o un periodo de garantía según lo estipulado por la ley local aplicable, el que sea más largo.

¿CUÁL ES LA COBERTURA?

- El aparato Tineco tiene una garantía de 2 años contra defectos originales en materiales y mano de obra, cuando se usa para fines domésticos privados de acuerdo con el manual de instrucciones de Tineco. Los accesorios motorizados comprados por separado tienen una garantía de 1 año.
- Esta garantía proporciona, sin coste adicional, toda la mano de obra y las piezas necesarias para garantizar que el aparato se encuentre en buenas condiciones de funcionamiento durante el período de garantía.
- Esta garantía solo será válida si el aparato se utiliza en el país donde se vendió.

¿QUÉ QUEDA FUERA DE LA COBERTURA?

Tineco no será responsable de los costes, daños o reparaciones incurridos como resultado de:

- Aparatos adquiridos en un distribuidor no autorizado.
- Mala manipulación o manipulación descuidada, mal uso, abuso o falta de mantenimiento, así como usos no conformes con el manual de instrucciones de Tineco.
- Uso del aparato para otros fines que no sean fines domésticos normales, por ejemplo, para fines comerciales o de alquiler.
- Uso de piezas no conformes con el manual de instrucciones de Tineco.
- Uso de piezas y accesorios distintos a los producidos o recomendados por Tineco.
- Factores externos no relacionados con la calidad y el uso del producto, como el clima, modificaciones, accidentes, apagones, picos de tensión o causas naturales.
- Reparaciones o alteraciones realizadas por personas o agentes no autorizados.
- No realizar la retirada de obstrucciones y otros materiales peligrosos del aparato.
- Desgaste normal, incluidas las piezas de desgaste normal, como el recipiente transparente, la correa, el filtro, el filtro HEPA, la barra de cepillo y el cable de alimentación (o por daños o abusos externos identificados), daños en las alfombras o en el suelo por uso indebido o no conforme con las instrucciones del fabricante.
- Reducción del tiempo de descarga de la batería debido a su uso o antigüedad.

LIMITACIONES DE GARANTÍA

- Cualquier garantía implícita relacionada con el aparato, incluidas, entre otras, la garantía de comerciabilidad o la garantía de adecuación para un propósito particular, se limita a la duración de esta garantía.
- La cobertura de la garantía se aplica únicamente al propietario original y a la batería original; no es transferible.
- Esta garantía limitada le otorga derechos legales específicos. También puede tener otros derechos que varían según la región.
- Es posible que las garantías del fabricante no se apliquen en todos los casos, dependiendo de factores como el uso del producto, el lugar donde se compró el producto o a quién se compró. Revise la garantía cuidadosamente y contacte con el fabricante si tiene alguna pregunta.

GARANTÍA Y SERVICIO

Registro: Le recomendamos encarecidamente que registre el aparato al comprarlo en el sitio web oficial de Tineco (www.tineco.com) o escaneando el código QR (consulte a la derecha) para disfrutar de más beneficios exclusivos. Para registrarlo, introduzca todo el número de serie (retire el depósito de polvo para encontrar el número de serie).

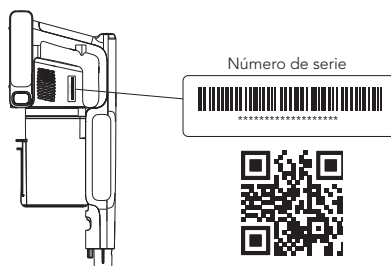
No registrar el aparato no implica pérdida de derechos de garantía.

Cómo hacer una reclamación: Conserve el recibo de compra. Para realizar una reclamación bajo su garantía limitada, debe enviar el número de serie y el recibo original de compra con la fecha de compra y el número de pedido.

Todo trabajo será responsabilidad de Tineco o de algún agente autorizado.

Cualquier pieza defectuosa reemplazada pasará a ser propiedad de Tineco.

El servicio bajo esta garantía no extenderá el período de esta garantía.



Póngase en contacto con nuestra línea de atención al cliente: **1-855-292-8864** o visite la página web de Tineco **www.tineco.com** para recibir ayuda experta.

SOMMAIRE

Consignes de sécurité importantes	18
Spécifications	21
Guide de dépannage	22
Garantie	23
Assemblage	26
Paramètres	27
Indicateurs de batterie	28
Options de charge	29
Entretien	30

TINECO EST LÀ POUR VOUS AIDER.

Nous vous répondrons dans les 24 heures.



www.tineco.com



1-855-292-8864

Consignes de sécurité importantes

Lorsque vous utilisez un appareil électrique, veuillez respecter les précautions de sécurité élémentaires, notamment celles indiquées ci-dessous :

LISEZ TOUTES LES INSTRUCTIONS AVANT L'UTILISATION (DE CET APPAREIL). Le non-respect des consignes de sécurité et des instructions peut provoquer une décharge électrique, un incendie et/ou des blessures graves.

AVERTISSEMENT – Afin de réduire le risque d'incendie, de

décharge électrique ou de blessures corporelles :

1. Cet appareil peut être utilisé par des enfants à partir de 8 ans et par des personnes dont les capacités physiques, sensorielles ou mentales sont réduites, ou des personnes dénuées d'expérience ou de connaissance, si elles ont pu bénéficier, par l'intermédiaire d'une personne responsable de leur sécurité, d'une surveillance ou d'instructions préalables concernant l'utilisation de l'appareil. Les enfants ne doivent pas jouer avec cet appareil. Le nettoyage et l'entretien ne doivent pas être effectués par des enfants sans surveillance.
2. Cet appareil n'est pas destiné à être utilisé par des personnes (y compris les enfants) ayant des capacités physiques, sensorielles ou mentales limitées, ou manquant d'expérience et/ou de connaissances, sauf si elles sont surveillées ou ont reçu des instructions.
3. Cet appareil est conçu pour un usage en INTÉRIEUR UNIQUEMENT. N'utilisez pas cet appareil en plein air, ni dans un environnement commercial ou industriel. N'utilisez pas l'appareil sur une surface mouillée ou sur laquelle de l'eau stagne.
4. Cet appareil ne doit pas servir de jouet. Une attention particulière est nécessaire lorsque l'aspirateur est utilisé près d'enfants, d'animaux domestiques ou de plantes.
5. Utilisez l'appareil uniquement de la manière décrite dans ce manuel. Utilisez exclusivement les accessoires recommandés par le constructeur.
6. N'utilisez pas l'appareil si son câble d'alimentation ou sa prise est endommagé. Si l'appareil est tombé, est endommagé, a été laissé à l'extérieur ou en contact avec de l'eau ou ne fonctionne pas correctement, retournez-le à un centre d'entretien.
7. Ne manipulez pas le chargeur, y compris la prise et/ou les bornes du chargeur, les mains mouillées.
8. Ne bloquez pas les ouvertures. Arrêtez toute utilisation si les ouvertures sont bloquées. Nettoyez et retirez les objets bloqués conformément aux instructions du manuel.
9. Gardez les cheveux, les vêtements amples, les doigts et autres parties du corps éloignés des ouvertures et des pièces en mouvement.
10. Soyez particulièrement vigilant(e) en passant l'aspirateur dans les escaliers.
11. N'utilisez pas cet appareil pour aspirer des liquides combustibles ou inflammables, comme de l'essence, et ne passez pas l'aspirateur dans une pièce où se trouvent de tels liquides.
12. Ne passez en aucun cas l'aspirateur sur des objets brûlants ou incandescents, comme des cigarettes, des allumettes ou des cendres chaudes.
13. Ne pas utiliser sans le bac à poussière ou le filtre.

14. Évitez la mise en marche accidentelle. Vérifiez que l'interrupteur marche/arrêt est en position d'arrêt avant de charger l'appareil de le saisir, ou de le porter. Transporter l'appareil tout en posant un doigt sur l'interrupteur ou le brancher alors que l'interrupteur est en position de marche favorise les accidents.
15. Pour recharger la batterie, utilisez uniquement l'unité d'alimentation détachable fournie avec cet appareil. Un chargeur adapté à un seul type de batterie peut présenter un risque d'incendie s'il est utilisé avec une batterie différente.
16. Déconnectez la batterie de l'appareil avant d'effectuer un réglage, de changer un accessoire ou de ranger l'appareil. Ces mesures de sécurité permettent de réduire les risques de démarrage accidentel de l'appareil.
17. En cas de mauvaise utilisation, du liquide peut s'en échapper. Évitez tout contact avec ce liquide. En cas de contact accidentel, rincez à grande eau. Si du liquide entre en contact avec les yeux, consultez un médecin. Le liquide qui s'échappe de la batterie peut provoquer des irritations ou des brûlures.
18. N'utilisez pas d'appareil qui a été endommagé ou modifié. Les batteries modifiées ou endommagées peuvent produire un fonctionnement imprévisible pouvant provoquer un incendie, une explosion ou un risque de blessure.
19. N'exposez pas l'appareil au feu ou à une chaleur excessive. L'exposition au feu ou à des températures supérieures à 130 °C peut provoquer une explosion.
20. Respectez toutes les instructions de charge et ne rechargez pas l'appareil quand la température est au-delà de la plage spécifiée dans les instructions. Une recharge incorrecte ou recharger une batterie sous des températures hors de la plage spécifiée peut endommager la batterie et accroître le risque d'incendie.
21. Faites réparer votre appareil par un réparateur qualifié qui ne devra utiliser que des pièces de rechange identiques. Cela garantira une utilisation sûre de l'appareil.
22. Cet appareil contient des éléments de batterie non remplaçables. Ne modifiez pas et n'essayez pas de réparer l'appareil ou la batterie sans suivre les instructions d'utilisation et d'entretien.
23. Éteignez toujours cet appareil avant de brancher ou de débrancher l'embout motorisé.
24. Ne rechargez et ne rangez pas l'appareil en plein air ou à l'intérieur d'une voiture. Chargez, stockez ou utilisez l'appareil uniquement dans une zone intérieure sèche où la température est supérieure à 4 °C, mais inférieure à 40 °C. Le chargeur est conçu exclusivement pour une utilisation en intérieur.
25. Utilisez cet appareil uniquement avec des batteries spécialement conçues pour cet usage. L'utilisation de toute autre batterie peut créer un risque de blessures et d'incendie.
26. Lorsque la batterie n'est pas utilisée, elle doit être rangée loin de tout objet métallique, tel que trombone, pièce de monnaie, clef, clou, vis et tout autre petit objet métallique qui risquerait de mettre en contact ses bornes. Court-circuiter les bornes de la batterie peut provoquer des brûlures ou un incendie.

CONSERVEZ CES INSTRUCTIONS

Pour les applications FCC et IC :

Cet appareil est conforme à l'article 15 des règles de la FCC ainsi qu'à la (aux) norme(s) RSS exempte(s) de licence d'Industrie Canada. Son fonctionnement est soumis aux deux conditions suivantes : (1) cet appareil ne doit pas provoquer d'interférences nuisibles, et (2) cet appareil doit accepter toutes les interférences reçues, y compris celles susceptibles de provoquer un fonctionnement indésirable.

Tout changement ou toute modification non expressément approuvé par la partie responsable de la conformité peut annuler le droit de l'utilisateur à utiliser l'équipement.


cet équipement a été testé et déclaré conforme aux limites définies pour un appareil numérique de classe B, conformément à l'article 15 de la réglementation FCC. Ces limites sont conçues pour fournir une protection raisonnable contre les interférences nuisibles dans une installation résidentielle. Cet équipement génère, utilise et peut émettre de l'énergie par radiofréquence. S'il n'est pas installé et utilisé conformément aux instructions, il peut provoquer des interférences nuisibles aux communications radio. Toutefois, il n'est pas garanti que des interférences ne se produiront pas dans une installation particulière. Si cet équipement provoque des interférences nuisibles à la réception des signaux de radio ou de télévision, ce qui peut être déterminé en éteignant et en rallumant l'équipement, il est recommandé à l'utilisateur d'essayer de corriger les interférences en prenant une ou plusieurs des mesures suivantes :

- Réorienter ou déplacer l'antenne de réception.
- Augmenter la distance entre l'équipement et le récepteur.
- Brancher l'appareil sur une prise située sur un circuit différent de celui auquel le récepteur est connecté.
- Consulter le concessionnaire ou un technicien radio/TV expérimenté pour obtenir de l'aide.

Spécifications

Nom du produit	A20 / Série Tineco Go
Tension	21,6 V \equiv
Puissance d'alimentation	300 W
Capacité du bac à poussière	1 L
Entrée CA	100-240 V~
 	
Nom du produit	A30S / Série Tineco Go Pet
Tension	25,2 V \equiv
Puissance d'alimentation	500 W
Capacité du bac à poussière	1 L
Entrée CA	100-240 V~

Élimination des déchets

- La batterie contient des matériaux nuisibles à l'environnement. Elle doit donc être retirée de l'appareil avant l'élimination de celui-ci.
- Éteignez l'appareil avant d'enlever la batterie.
- Les batteries, les chargeurs, les accessoires et l'emballage doivent faire l'objet d'un tri dans l'optique d'un recyclage écologique. Ne les jetez pas au feu, à l'eau ou dans le sol. Les chargeurs et batteries ne doivent en aucun cas être jetés avec les ordures ménagères ! 
- En cas de contact du liquide de batterie avec la peau ou les vêtements, rincez immédiatement à l'eau afin d'éviter toute irritation, puis consultez un médecin.

Guide de dépannage

FR

Problème	Cause possible	Solution
L'appareil ne s'allume pas	Pas d'alimentation	Rechargez la batterie
	La bouche d'aspiration est bouchée	Vérifiez et éliminez les obstructions
	La batterie est toujours branchée à l'adaptateur	Débranchez la batterie de l'adaptateur
Faible puissance d'aspiration	Le bac à poussière et les filtres sont pleins	Nettoyer le bac à poussière et les filtres
	L'ensemble des pièces n'est pas en place	Vérifier toutes les pièces et les mettre en place
	L'appareil est bloqué (par ex., le tube, la bouche d'aspiration ou d'autres pièces)	Éliminez les obstructions
Bruits de moteur anormaux	L'appareil est bloqué (par ex., le tube, la bouche d'aspiration ou d'autres pièces)	Éliminez les obstructions
La batterie ne peut pas être rechargée	L'adaptateur n'est pas bien inséré	Retirez l'adaptateur et réinsérez-le correctement
	L'adaptateur n'est pas correct	Vérifier l'adaptateur et le remplacer par l'adaptateur correct
Voyant rouge clignotant rapidement sur la batterie	L'appareil est bloqué ou le rouleau brosse est entouré de cheveux/ poils ou de fibres	Arrêtez l'appareil, enlevez les obstructions ou nettoyez le rouleau brosse
	La batterie surchauffe	Laissez refroidir la batterie
	L'adaptateur n'est pas conçu pour cet appareil	Utilisez l'adaptateur d'origine
Voyant rouge clignotant lentement sur la batterie	La batterie est déchargée	Rechargez la batterie

Remarque :

Si le guide de dépannage ci-dessus ne fournit pas de solution, veuillez consulter notre site Web www.tineco.com pour plus d'aide.

Garantie

GARANTIE LIMITÉE DE 2 ANS

- Elle s'applique uniquement aux achats effectués auprès des détaillants autorisés de Tineco.
- Elle est soumise au respect des exigences décrites dans ce manuel d'instructions, et est soumise à d'autres conditions décrites ci-dessous.
- Cette garantie est régie et interprétée en vertu des lois du pays dans lequel a eu lieu l'achat. Nous fournissons une garantie de 2 ans ou une période de garantie comme stipulée par le droit local applicable, la période la plus longue étant retenue.

CE QUI EST COUVERT

- Votre appareil Tineco bénéficie d'une garantie de 2 ans contre les défauts d'origine du matériel et de fabrication, lorsqu'il est utilisé à des fins domestiques conformément au manuel d'utilisation de Tineco. Les accessoires motorisés achetés séparément sont livrés avec une garantie de 1 an.
- Cette garantie fournit, sans frais supplémentaires, toute la main-d'œuvre et les pièces nécessaires pour assurer que votre appareil est en bon état de fonctionnement pendant la période de garantie.
- Cette garantie n'est valable que pour l'utilisation dans le pays où l'appareil a été vendu.

CE QUI N'EST PAS COUVERT

Tineco ne sera pas responsable des coûts, dommages ou réparations résultant de ce qui suit :

- Appareils achetés auprès d'un revendeur non autorisé.
- Manipulation ou fonctionnement négligent, mauvaise utilisation, abus et/ou manque d'entretien ou utilisation non conforme au manuel d'utilisation Tineco.
- Utilisation de l'appareil autre que pour des usages domestiques normaux, c'est-à-dire, à des fins commerciales ou de location.
- Utilisation de pièces non conformes au manuel d'utilisation Tineco.
- Utilisation de pièces et d'accessoires autres que ceux produits ou recommandés par Tineco.
- Facteurs externes non liés à la qualité et à l'utilisation du produit, tels que la météo, les modifications, les accidents, les pannes électriques, les surtensions ou les catastrophes naturelles.
- Réparations ou modifications effectuées par des parties ou des agents non autorisés.
- Absence de nettoyage des obstructions et autres matières dangereuses de l'appareil.
- Usure normale, y compris l'usure normale des pièces, telles que la poubelle, la ceinture, le filtre, le filtre HEPA, la barre de brosse, le cordon d'alimentation (ou lorsqu'un dommage externe ou un abus est diagnostiqué), les tapis ou planchers endommagés en raison d'une utilisation non conforme aux instructions du fabricant.
- Réduction du temps de décharge de la batterie en raison du vieillissement ou de l'usure de la batterie.

LIMITATIONS DE GARANTIE

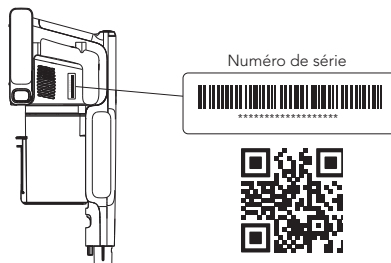
- Toute garantie implicite relative à votre appareil, y compris, mais sans s'y limiter, la garantie de qualité marchande ou la garantie d'adéquation à un usage particulier, est limitée à la durée de cette garantie.
- La couverture de la garantie s'applique uniquement au propriétaire d'origine et à la batterie d'origine et n'est pas transférable.
- Cette garantie limitée vous donne des droits légaux spécifiques. Vous pouvez également avoir d'autres droits qui varient selon les régions.
- Les garanties du fabricant peuvent ne pas s'appliquer dans tous les cas, en fonction de facteurs tels que l'utilisation du produit, l'endroit où le produit a été acheté ou la personne à qui vous avez acheté le produit.

Veillez lire attentivement la garantie et contactez le fabricant si vous avez des questions.

SERVICE DE GARANTIE

Enregistrement : Nous vous recommandons vivement, dès l'achat, d'enregistrer votre appareil en vous connectant à notre site officiel (www.tineco.com) ou en scannant le code QR (voir à droite) pour bénéficier d'avantages plus exclusifs. Pour vous enregistrer, veuillez saisir tout le numéro de série (enlevez le bac à poussières pour trouver le numéro de série).

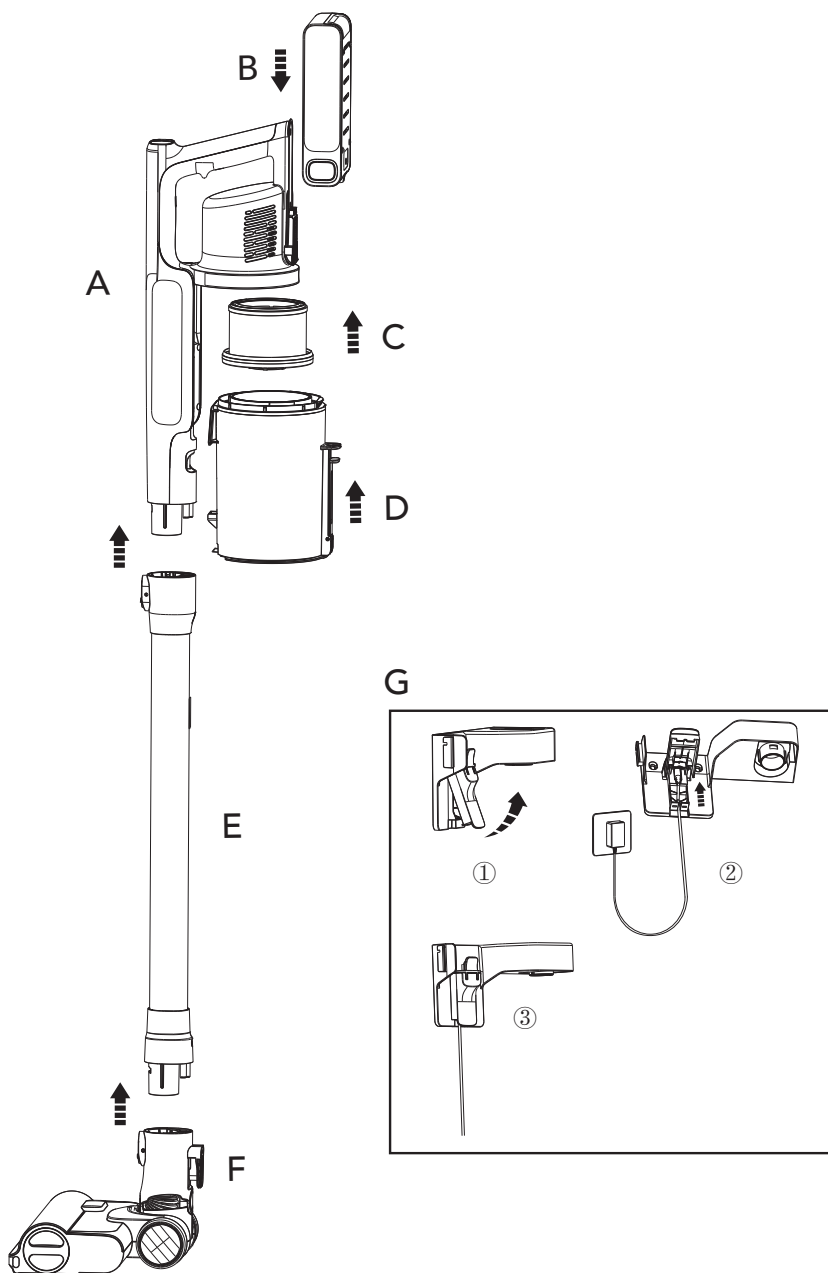
Le fait de ne pas enregistrer votre appareil ne diminuera pas vos droits de garantie.



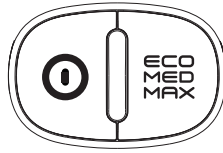
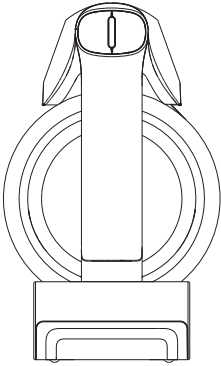
Comment faire une réclamation : veuillez conserver votre justificatif d'achat. Pour faire une réclamation dans le cadre de notre garantie limitée, vous devez fournir votre numéro de série et le reçu d'achat original avec la date d'achat et le numéro de commande. Tous les travaux seront effectués par Tineco ou un agent agréé. Toute pièce défectueuse remplacée deviendra la propriété de Tineco. Le service sous cette garantie ne prolongera pas la période de garantie.

**Contactez notre service après-vente au :
1-855-292-8864** ou visitez le site Web de
Tineco à l'adresse **www.tineco.com**
pour profiter de l'expertise du service
après-vente.

Assembly | Montaje | Assemblage



Settings | Ajustes | Paramètres



A20 / Tineco Go Series
A20 / Serie Tineco Go
A20 / Série Tineco Go



A30S / Tineco Go Pet Series
A30S / Serie Tineco Go Pet
A30S / Série Tineco Go Pet



ON/OFF button

Botón de ENCENDIDO/APAGADO

Bouton MARCHÉ/ARRÊT

ECO
MED
MAX

Power Setting: Eco/Medium/Max

Ajuste de potencia:

Eco/Medio/Max

Réglage de la puissance :

Eco/Médium/Max

ECO
AUTO
MAX

Power Setting: Eco/AUTO/Max

Ajuste de potencia:

Eco/AUTO/Max

Réglage de la puissance :

Eco/AUTO/Max



Dust Monitoring Bar (Only for A30S series/Tineco Go Pet series)

Blue to red according to the dust amount

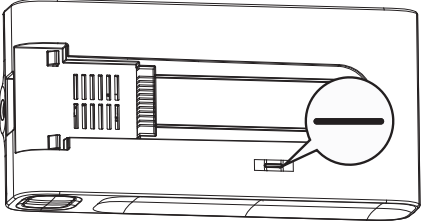
Barra de monitorización de polvo (Solo para las series A30S/Tineco Go Pet)

Azul o rojo según la cantidad de polvo

Barre de surveillance de la poussière (Uniquement pour la série A30S/Tineco Go Pet)

De bleu à rouge selon la quantité de poussières

Battery Indicators | Indicadores de batería | Indicateurs de batterie



In Use | En uso | En cours d'utilisation



- Green light on: High power
- Red light on: Low power
- Luz verde encendida: Alta potencia
- Luz roja encendida: Carga baja
- Voyant vert allumé : Haute puissance
- Voyant rouge allumé : Charge faible



- Red light blinking: Nearly empty
- Luz roja parpadeante: Casi vacío
- Voyant rouge clignotant : Presque vide

Charging | Cargando | En cours de chargement

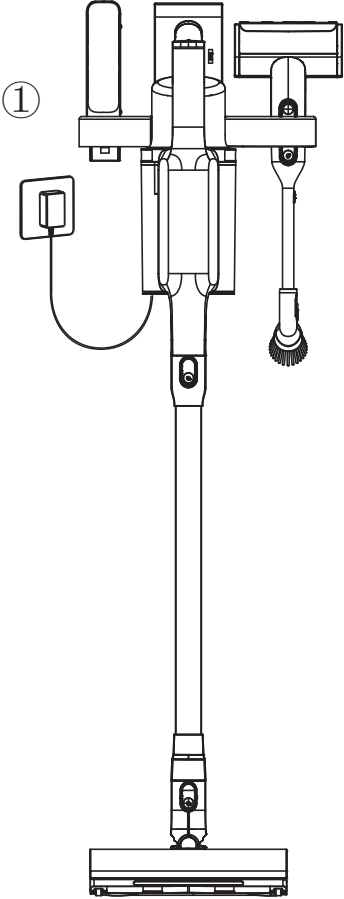


- Green light on: Full charge. The light will be off 5 mins after full charge
- Luz verde encendida: Carga completa. La luz se apagará 5 minutos de la carga completa
- Voyant vert allumé : Recharge à 100 %. Le voyant s'éteint 5 minutes après la fin de la charge

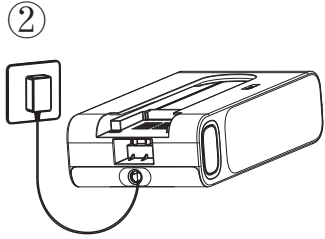


- Green light blinking: Not full charge
- Luz verde parpadeante: Carga no completada
- Voyant vert clignotant : Recharge partielle

Charging Options | Opciones de carga | Options de charge

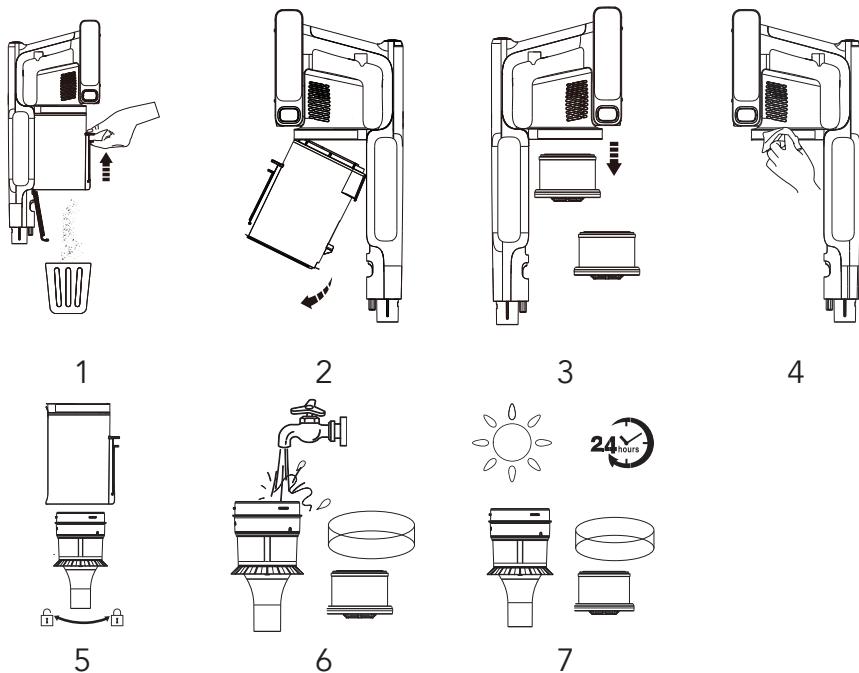


or
o
ou

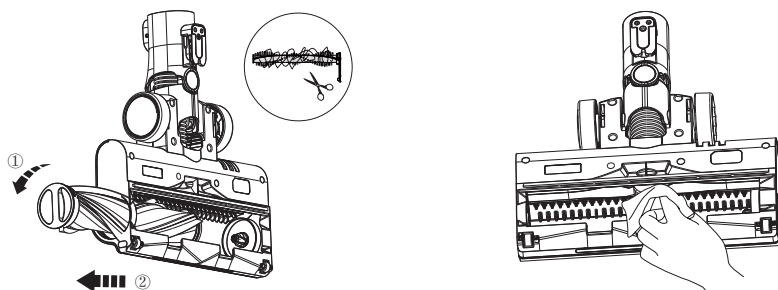


Maintenance | Mantenimiento | Entretien

Dust Bin | Depósito de polvo | Bac à poussière



Brush | Cepillo | Brosse



tineco
Live Easy.
Enjoy Life.





tinecoglobal	
--------------	---



Contact us - We'll get back to you within 24 hours.

Conéctese con nosotros. Nos pondremos en contacto dentro de 24 horas.

Contactez-nous. Nous vous répondrons dans les 24 heures.

 www.tineco.com
 1-855-292-8864